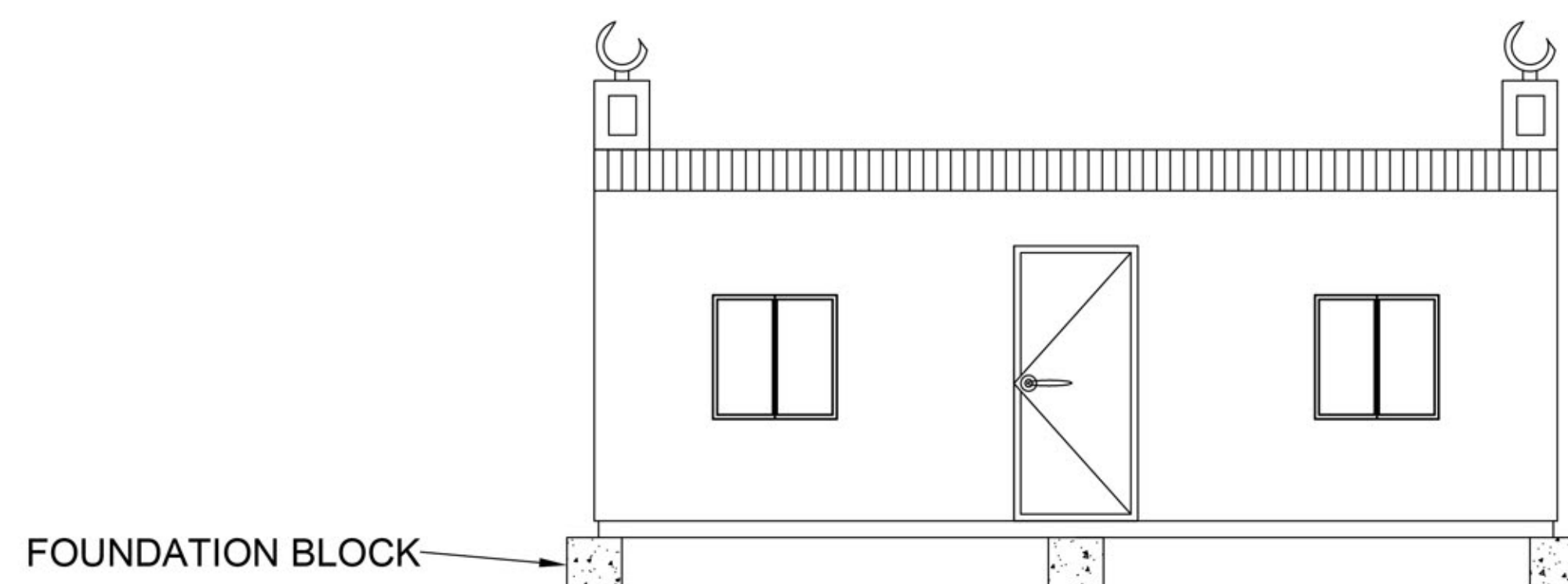
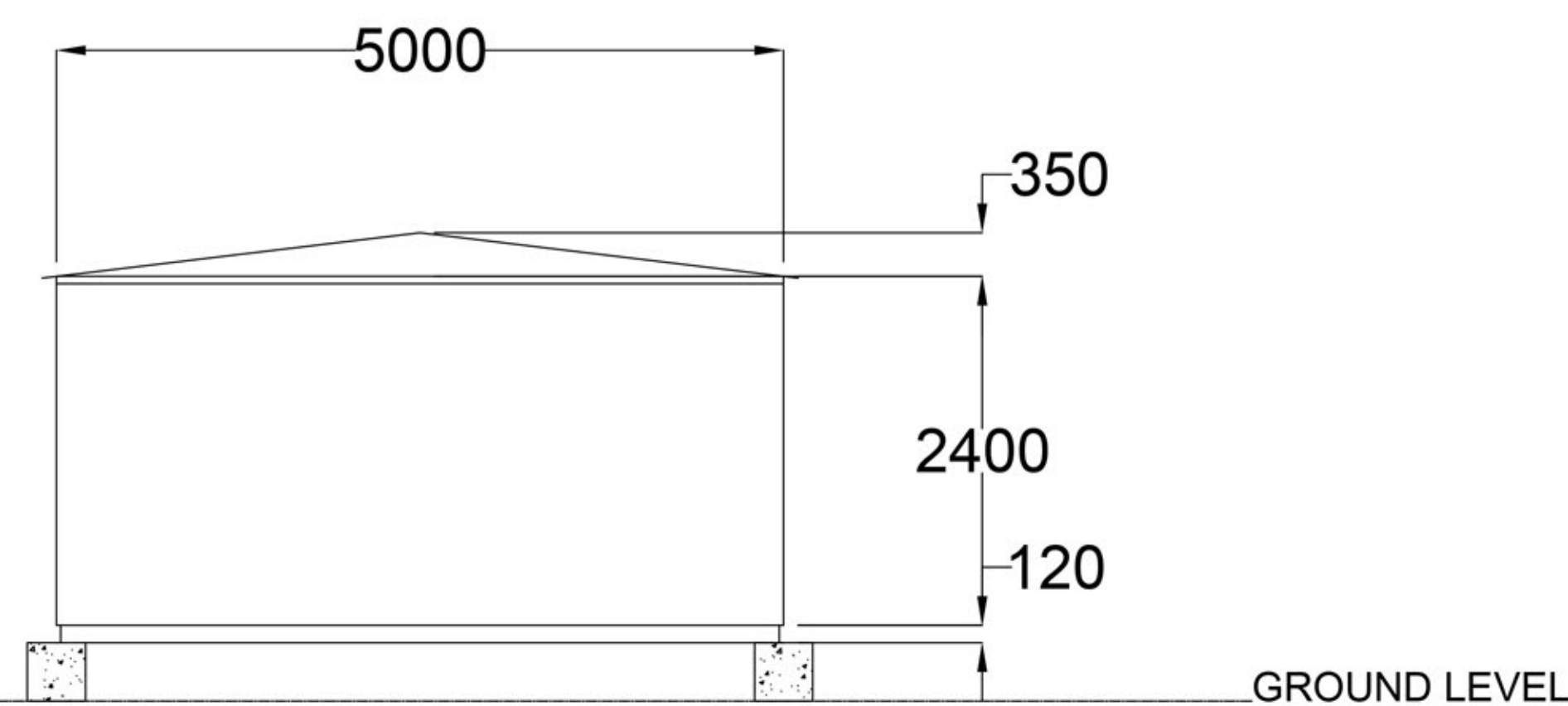


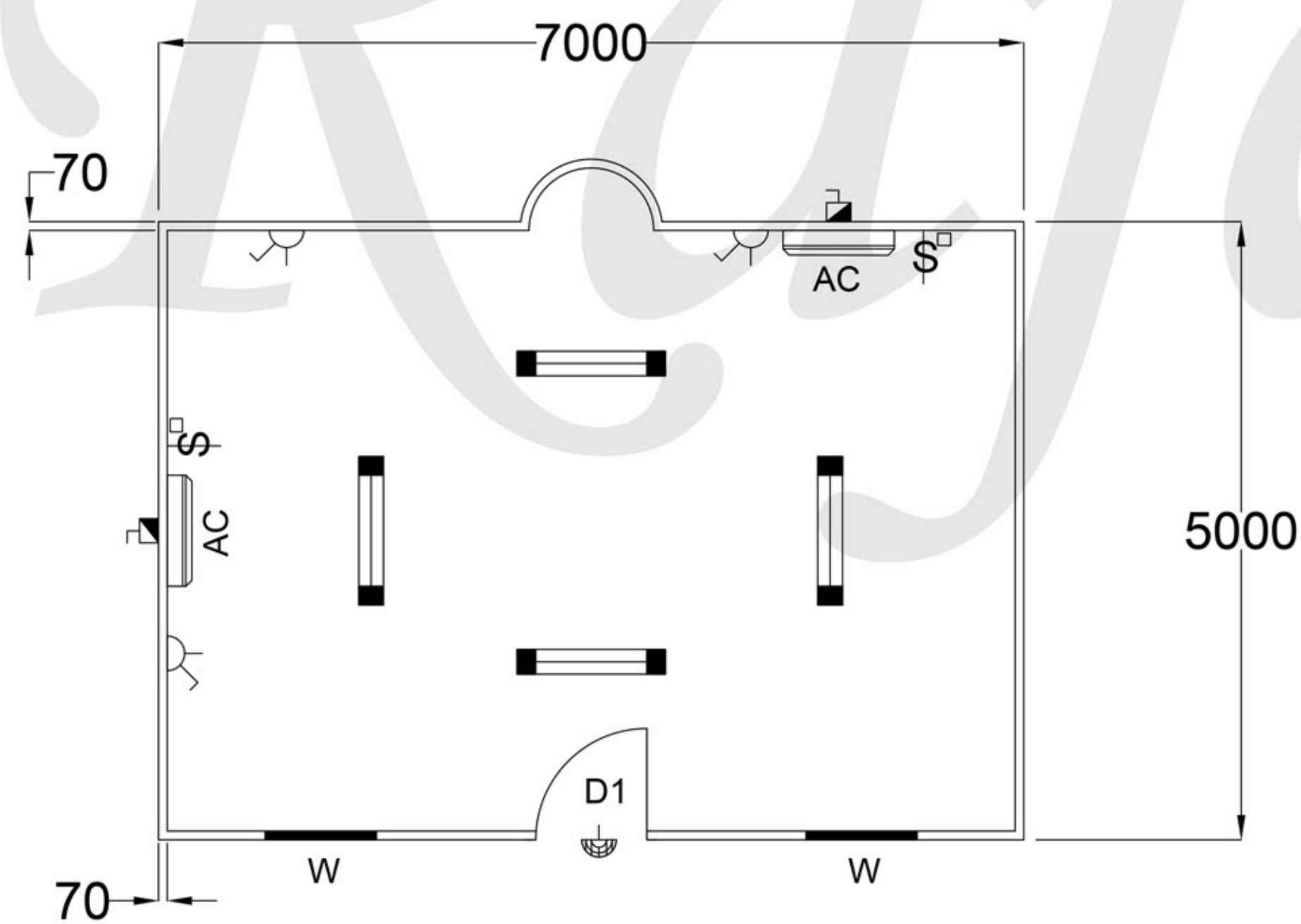
DRAWING TITLE: MOSQUE



ELEVATION

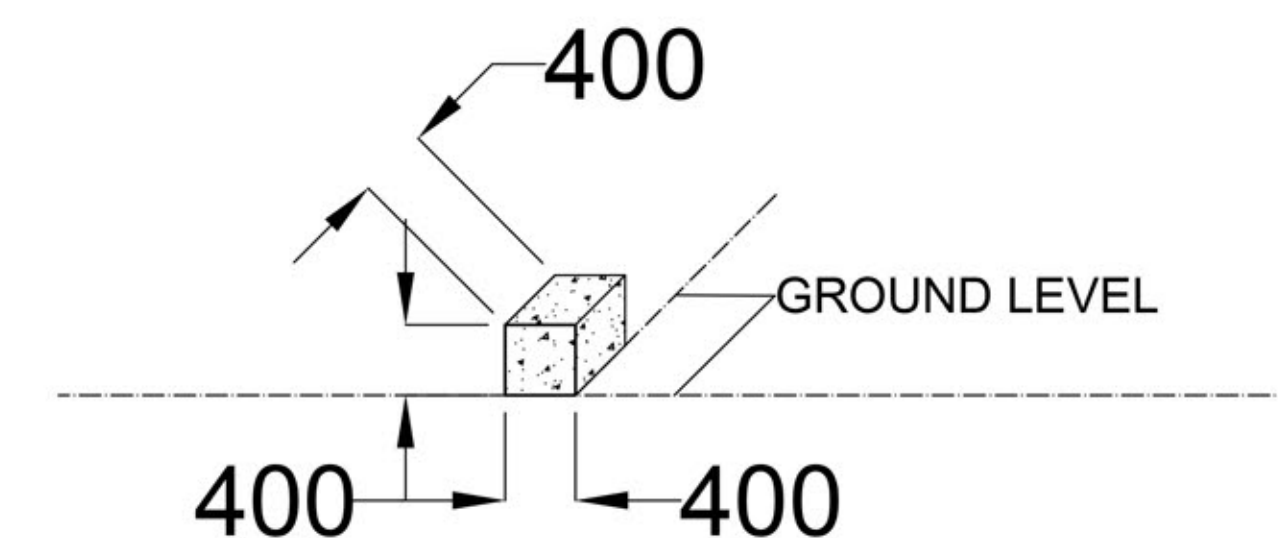


SIDE VIEW



FLOOR PLAN

MOSQUE SIZE: 7mX5.0m



FOUNDATION BLOCK DETAILS

General Notes

1. ALL DIMENSIONS ARE IN MILLIMETERS(mm) UNLESS OTHERWISE NOTED.
2. ALL WORKS SHALL BE CARRIED OUT IN ACCORDANCE WITH THE PROJECT SPECIFICATIONS.

ELECTRICAL

DB	
36W-DOUBLE TUBE SET	
36W-SINGLE TUBE SET	
13A SWITCHED SOCKET	
INDICATOR SWITCH	
DOUBLE POLE SWITCH	
SINGLE POLE SWITCH	
BULB	
BULKET BULB	
AC,SPLIT (PROVISION)	
ISOLATOR	

PLUMBING

No.	Revision/Issue	Date

Firm Name & Address:

Rajabco

www.rajabco.net
 CARPENTRY WORKS L.L.C
 P.O.BOX:108524,ABU DHABI,ALAIN-UAE,
 MOBILE: 0505424779

DOORS & WINDOWS	
NAME	SIZE
DOOR(D1)	W900xH2200
DOOR(D2)	W700xH2200
WINDOW(W)	W900xH900

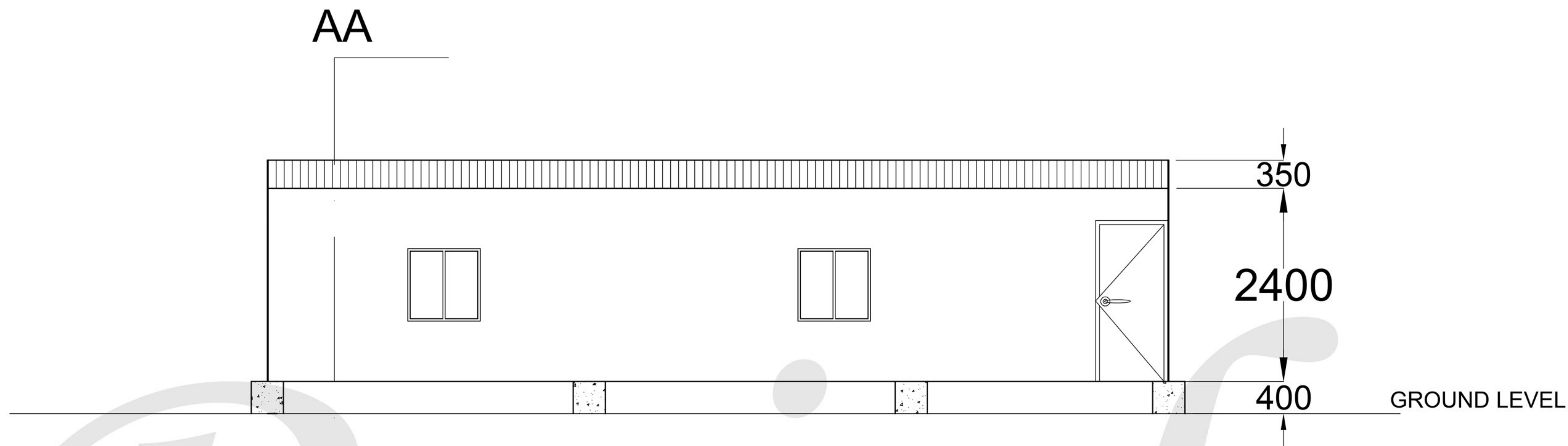
Client:

Project:

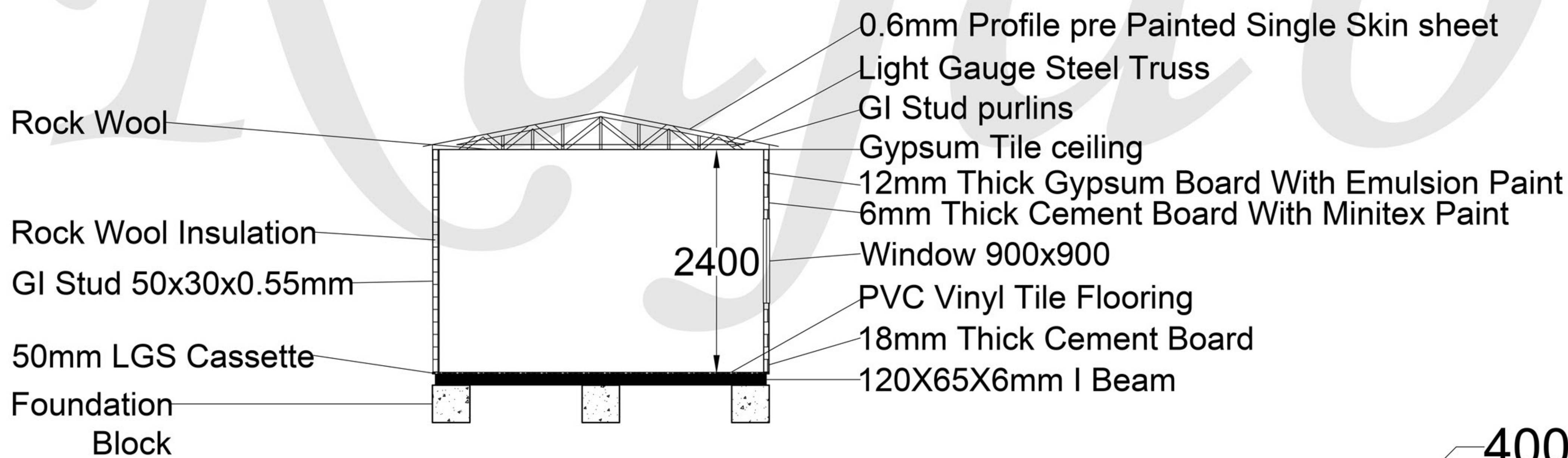
Date: _____ Sheet: _____

Scale: **NTS**

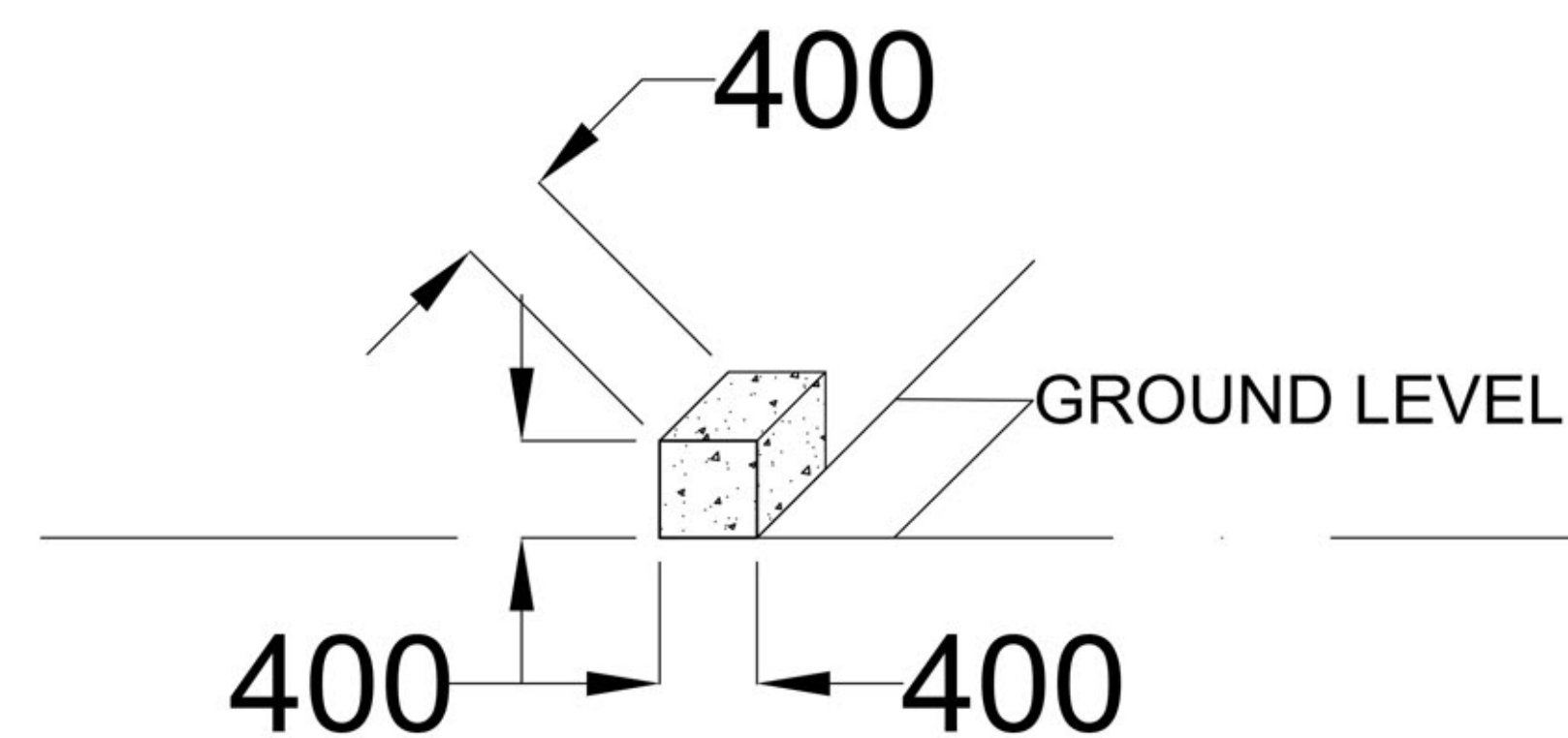
DRAWING TITLE: SECTIONAL VIEW & TECH.



ELEVATION



SECTIONAL VIEW - AA



FOUNDATION BLOCK DETAILS

General Notes

1. ALL DIMENSIONS ARE IN MILIMETERS(mm) UNLESS OTHERWISE NOTED.
2. ALL WORKS SHALL BE CARRIED OUT IN ACCORDANCE WITH THE PROJECT SPECIFICATIONS.

Firm Name & Address:

Rajabco

www.rajabco.net

CARPENTRY WORKS L.L.C

P.O. BOX: 108524, ABU DHABI, ALAIN - UAE,
MOBILE: 0505424779



IN SHEET:

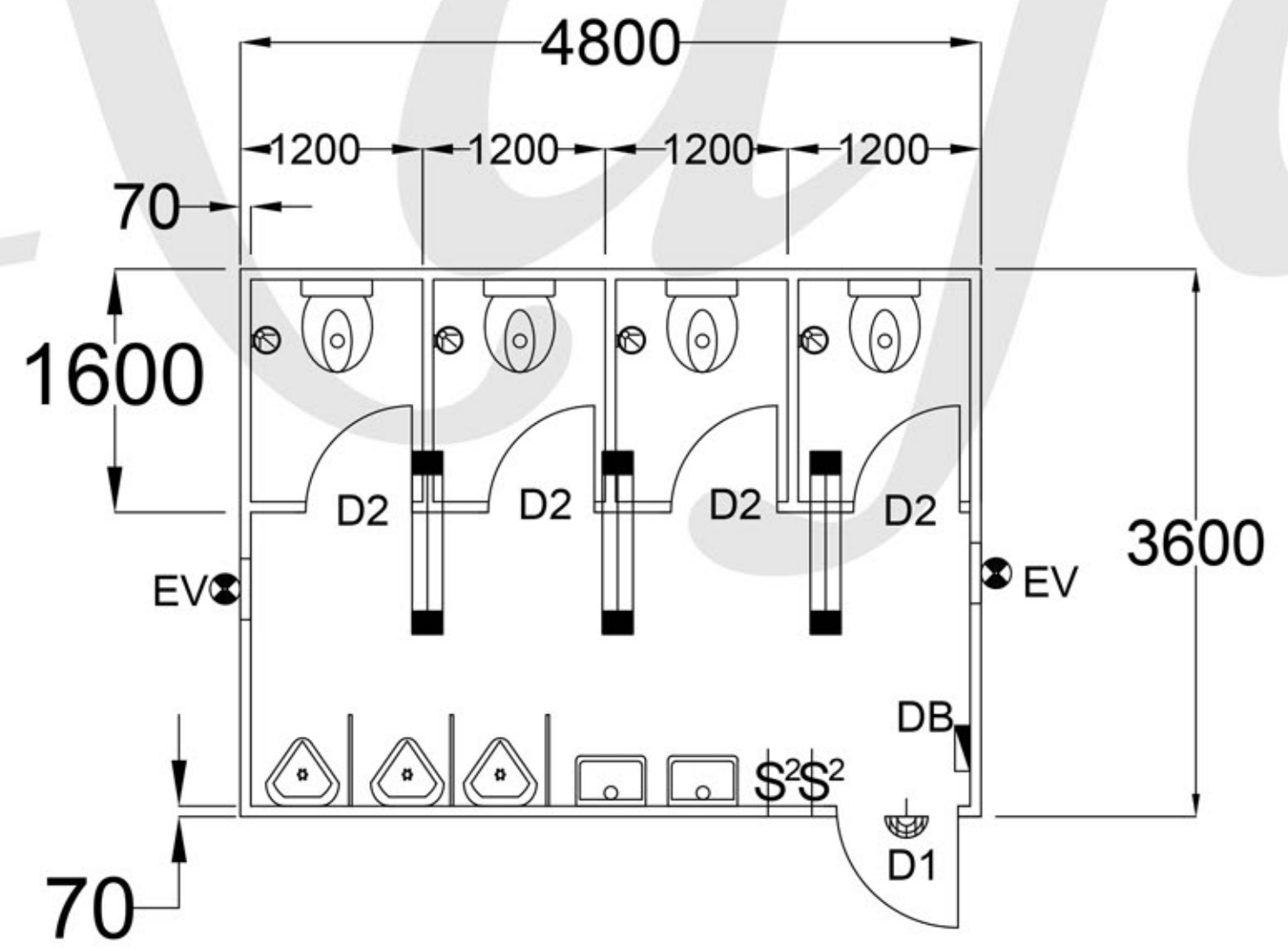
**SECTIONAL VIEW &
TECHNICAL SPEC.**

DRAWING TITLE: TOILET UNIT

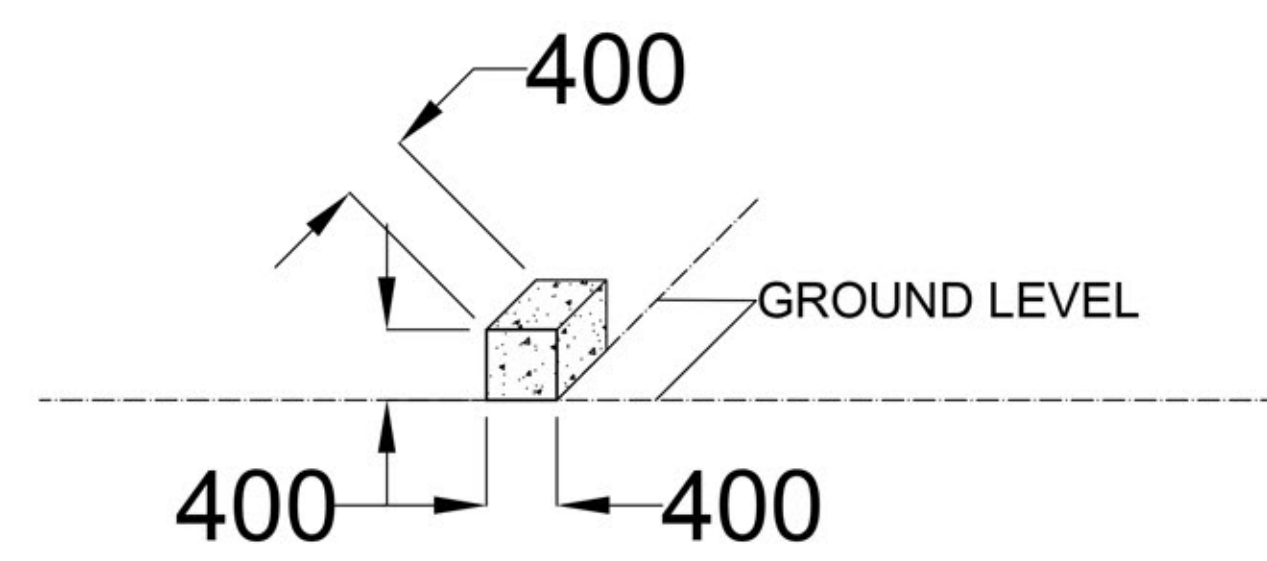


ELEVATION

SIDE VIEW



FLOOR PLAN-TOILET UNIT
SIZE: 4.8mX3.60m



FOUNDATION BLOCK DETAILS

DOORS & WINDOWS	
NAME	SIZE
DOOR(D1)	900xH2000
DOOR(D2)	700xH2000
EXHAUST (EV)	400x400

General Notes		
1. ALL DIMENSIONS ARE IN MILIMETERS(mm) UNLESS OTHERWISE NOTED.		
2. ALL WORKS SHALL BE CARRIED OUT IN ACCORDANCE WITH THE PROJECT SPECIFICATIONS.		
ELECTRICAL		
DB	☐	
36W-DOUBLE TUBE SET	▬▬▬	
DOUBLE POLE SWITCH	\$²	
BULKET BULB	⊕	
EXHAUST FAN 9"	⊕	
PLUMBING		
EUROPEAN WC	⊕	
SHATTAF RAY	⊕	
WASH BASIN+MIRROR	⊕	
URINAL	⊕	
No.	Revision/Issue	Date

Firm Name & Address:
Rajabco
 www.rajabco.net
 CARPENTRY WORKS L.L.C
 P.O.BOX:108524,ABU DHABI,ALAIN-UAE,
 MOBILE: 0505424779

Client:

Project:

Date: Sheet:

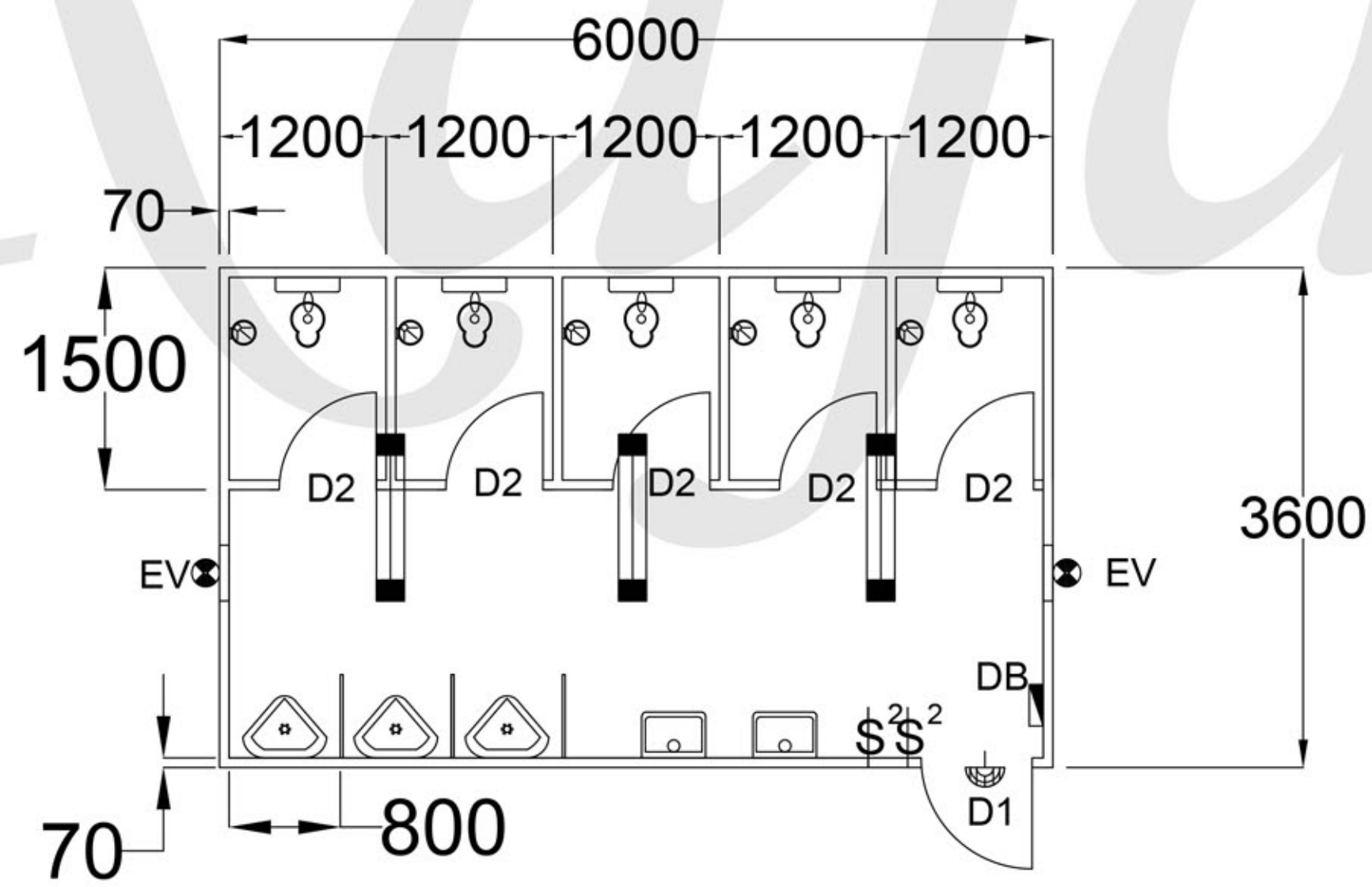
Scale: **NTS** 01 OF 01

DRAWING TITLE: TOILET UNIT

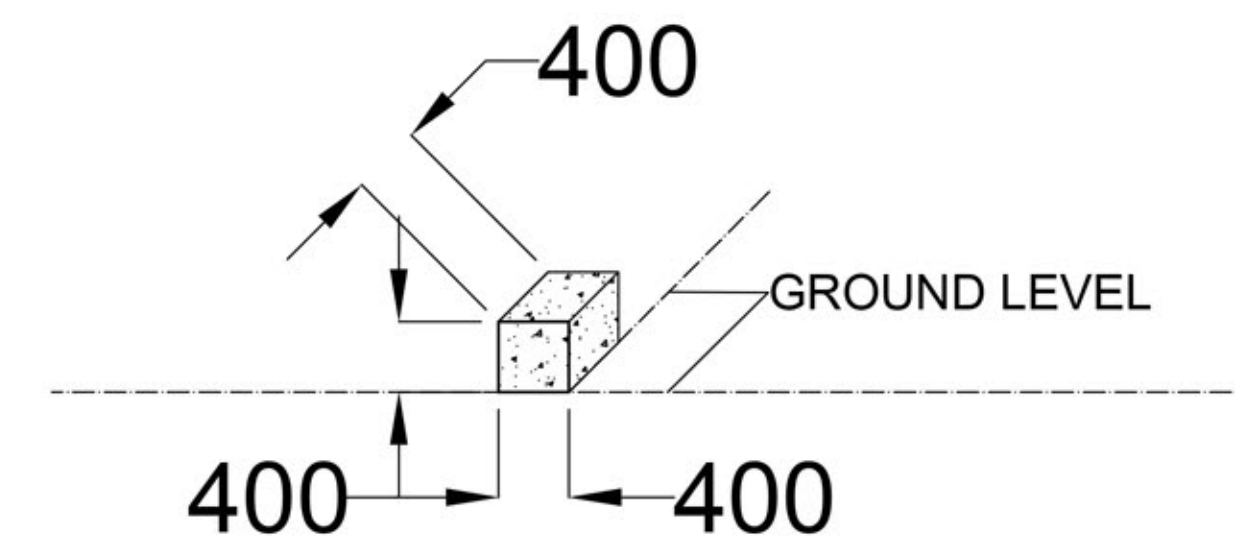


ELEVATION

SIDE VIEW



FLOOR PLAN-TOILET UNIT
SIZE: 6mX3.6m



FOUNDATION BLOCK DETAILS

DOORS & WINDOWS	
NAME	SIZE
DOOR(D1)	900xH2000
DOOR(D2)	700xH2000
WINDOW(W)	900x900
EXHAUST (EV)	400x400

General Notes

1. ALL DIMENSIONS ARE IN MILLIMETERS(mm) UNLESS OTHERWISE NOTED.
2. ALL WORKS SHALL BE CARRIED OUT IN ACCORDANCE WITH THE PROJECT SPECIFICATIONS.

ELECTRICAL

DB	
36W-DOUBLE TUBE SET	
36-W-SINGLE TUBE SET	
DOUBLE POLE SWITCH	
SINGLE POLE SWITCH	
BULB	
BULKET BULB	
EXHAUST FAN 9"	

PLUMBING

ASIAN WC	
SHATTAF RAY	
WASH BASIN+MIRROR	
URINAL	

No.	Revision/Issue	Date

Firm Name & Address:

Rajabco
www.rajabco.net
CARPENTRY WORKS L.L.C
P.O.BOX:108524,ABU DHABI,ALAIN-UAE,
MOBILE: 0505424779

Client:

Project:

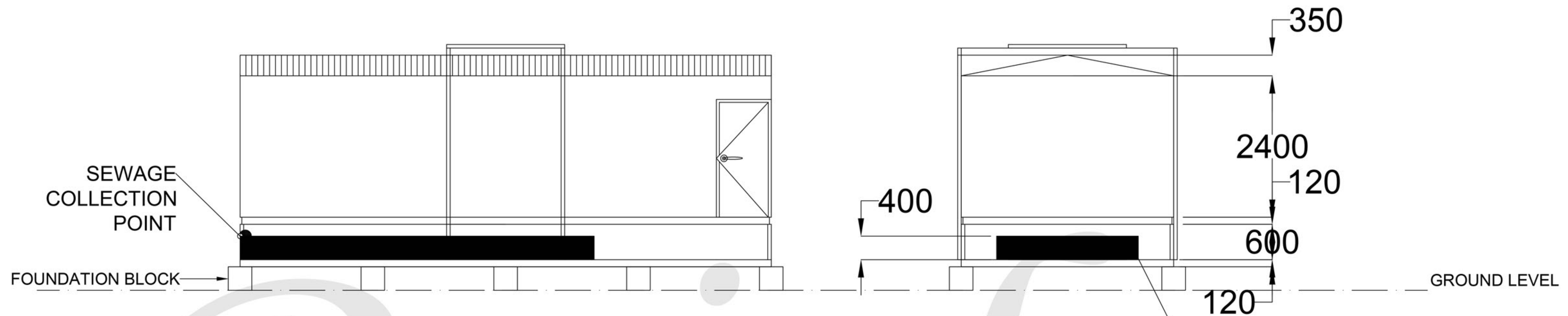
Date:

Scale: **NTS**

Sheet:

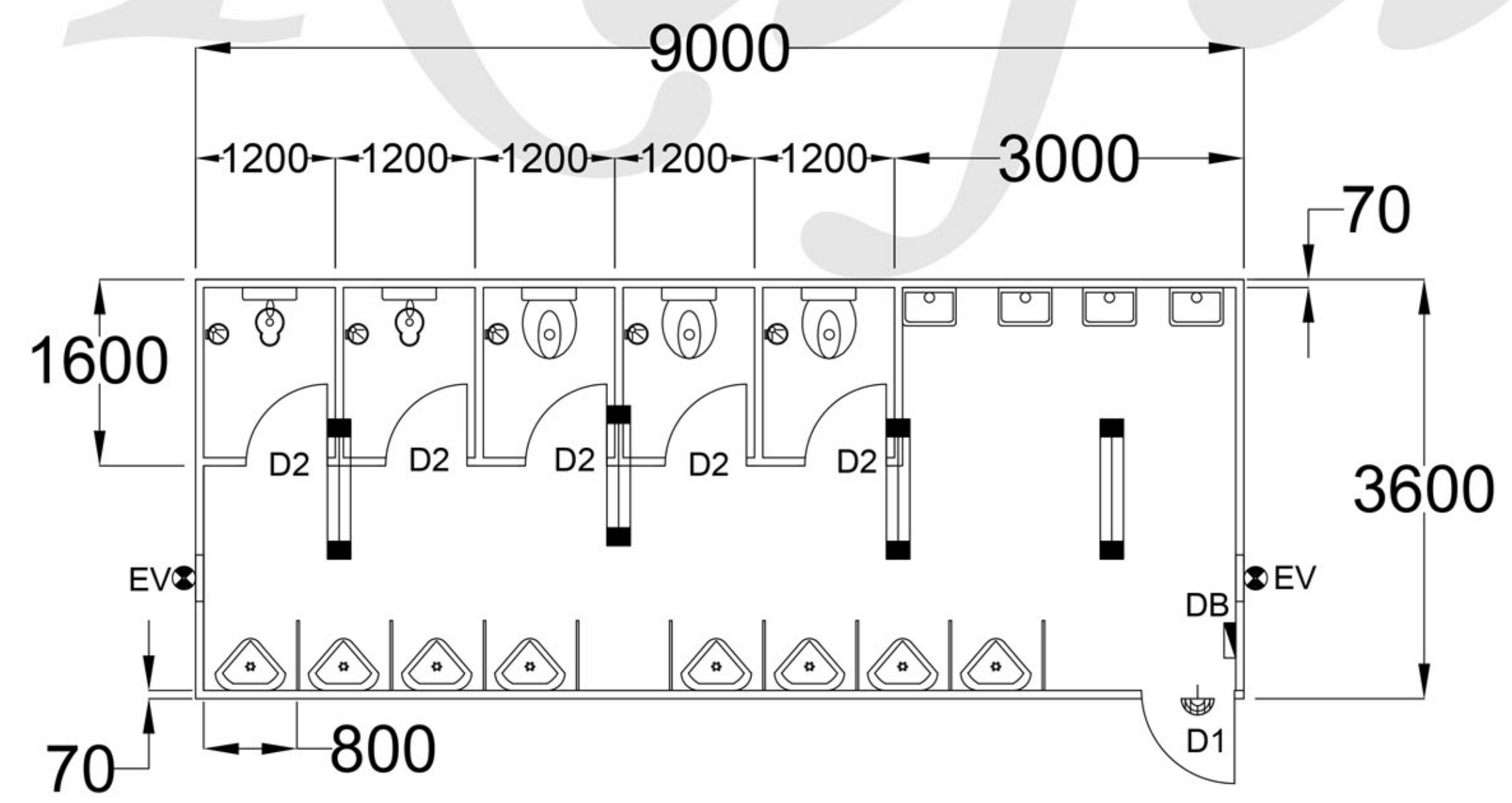
01 OF 01

DRAWING TITLE: TOILET UNIT

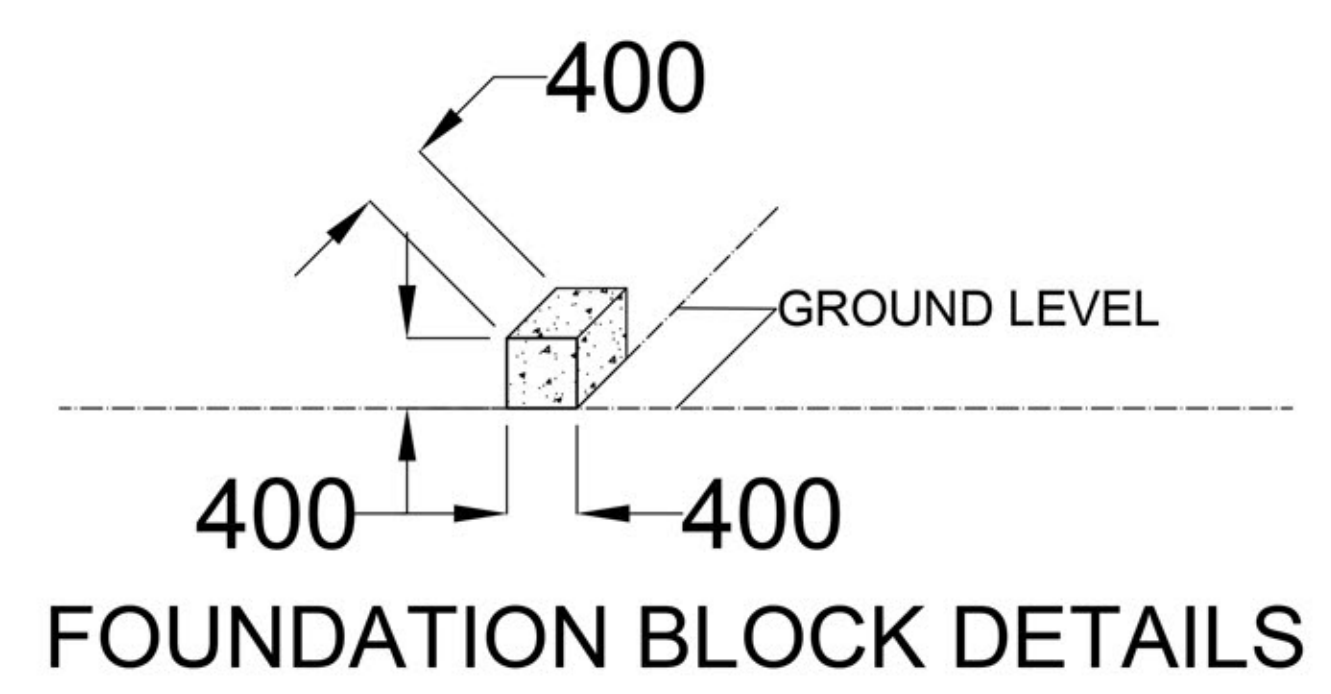


ELEVATION

SIDE VIEW
STEEL SEPTIC TANK
SIZE: 6000x2400x400



FLOOR PLAN-TOILET UNIT
SIZE: 9mX3.6m



FOUNDATION BLOCK DETAILS

General Notes

1. ALL DIMENSIONS ARE IN MILLIMETERS(mm) UNLESS OTHERWISE NOTED.
2. ALL WORKS SHALL BE CARRIED OUT IN ACCORDANCE WITH THE PROJECT SPECIFICATIONS.

ELECTRICAL

DB	
36W-DOUBLE TUBE SET	
36-W SINGLE TUBE SET	
BULB	
BULKET BULB	
EXHAUST FAN 9"	
AC,SPLIT (PROVISION)	
ISOLATOR	

PLUMBING

EUROPEAN WC	
ASIAN WC	
WASH BASIN+MIRROR	
SHATTAF RAY	

No.	Revision/Issue	Date

Firm Name & Address:

Rajabco
www.rajabco.net
CARPENTRY WORKS L.L.C
P.O.BOX:108524,ABU DHABI,ALAIN-UAE,
MOBILE: 0505424779

DOORS & WINDOWS	
NAME	SIZE
DOOR(D1)	W900xH2000
DOOR(D2)	W700xH2000
WINDOW(W)	W900xH900
EXHAUST (EV)	400x400

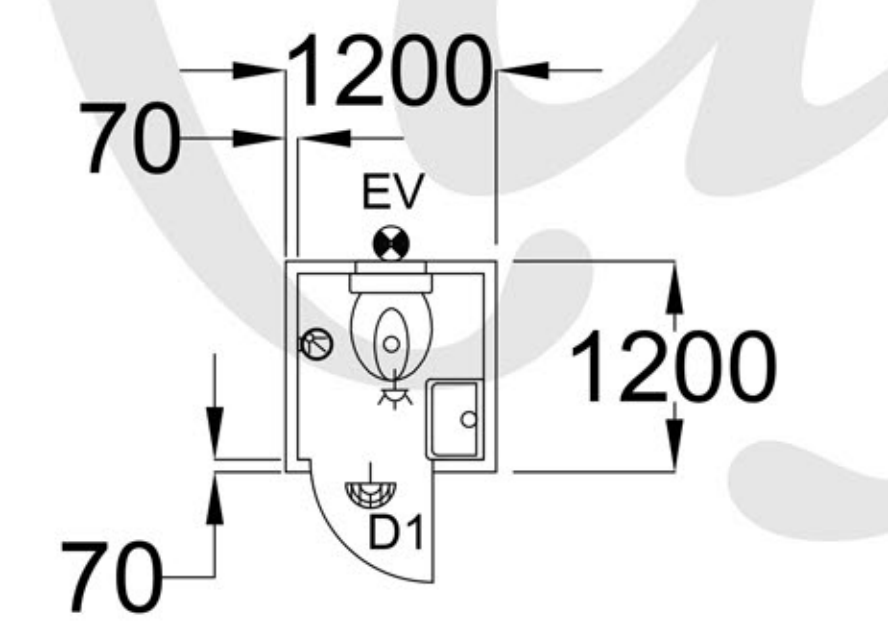
Client:

Project:

Date: Sheet:

Scale: **NTS** 04 OF 04

DRAWING TITLE: SINGLE TOILET UNIT



SINGLE TOILET UNIT
SIZE: 1.2mX1.2m

General Notes

1. ALL DIMENSIONS ARE IN MILIMETERS(mm) UNLESS OTHERWISE NOTED.
2. ALL WORKS SHALL BE CARRIED OUT IN ACCORDANCE WITH THE PROJECT SPECIFICATIONS.

ELECTRICAL

DB	
EXHAUST FAN 6"	
BULKET BULB	
BULB	

PLUMBING

EUROPEAN WC	
SHATTAF RAY	
WASH BASIN	

No.	Revision/Issue	Date

Firm Name & Address:

Rajabco
www.rajabco.net
CARPENTRY WORKS L.L.C
P.O.BOX:108524,ABU DHABI,ALAIN-UAE,
MOBILE: 0505424779

DOORS & WINDOWS	
NAME	SIZE
DOOR(D1)	W700xH2000
EXAUST (EV)	400x400

Client:

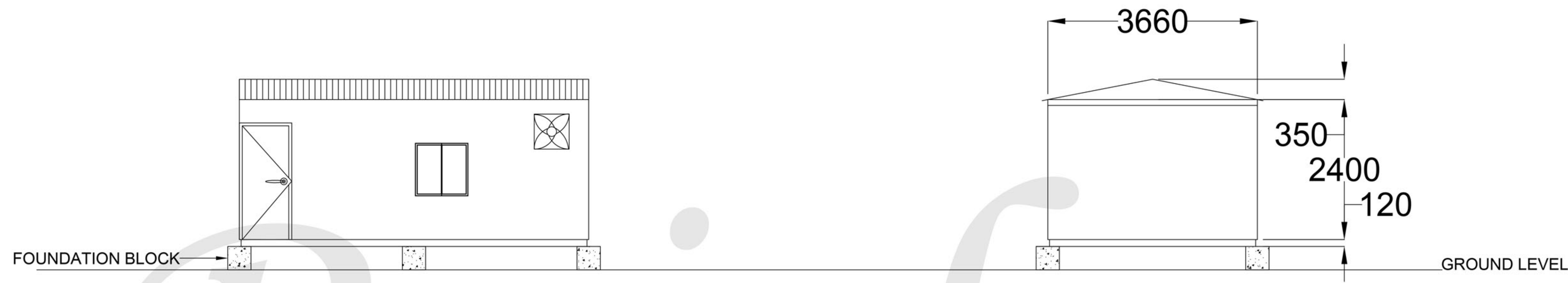
Project:

Date:

Scale: **NTS**

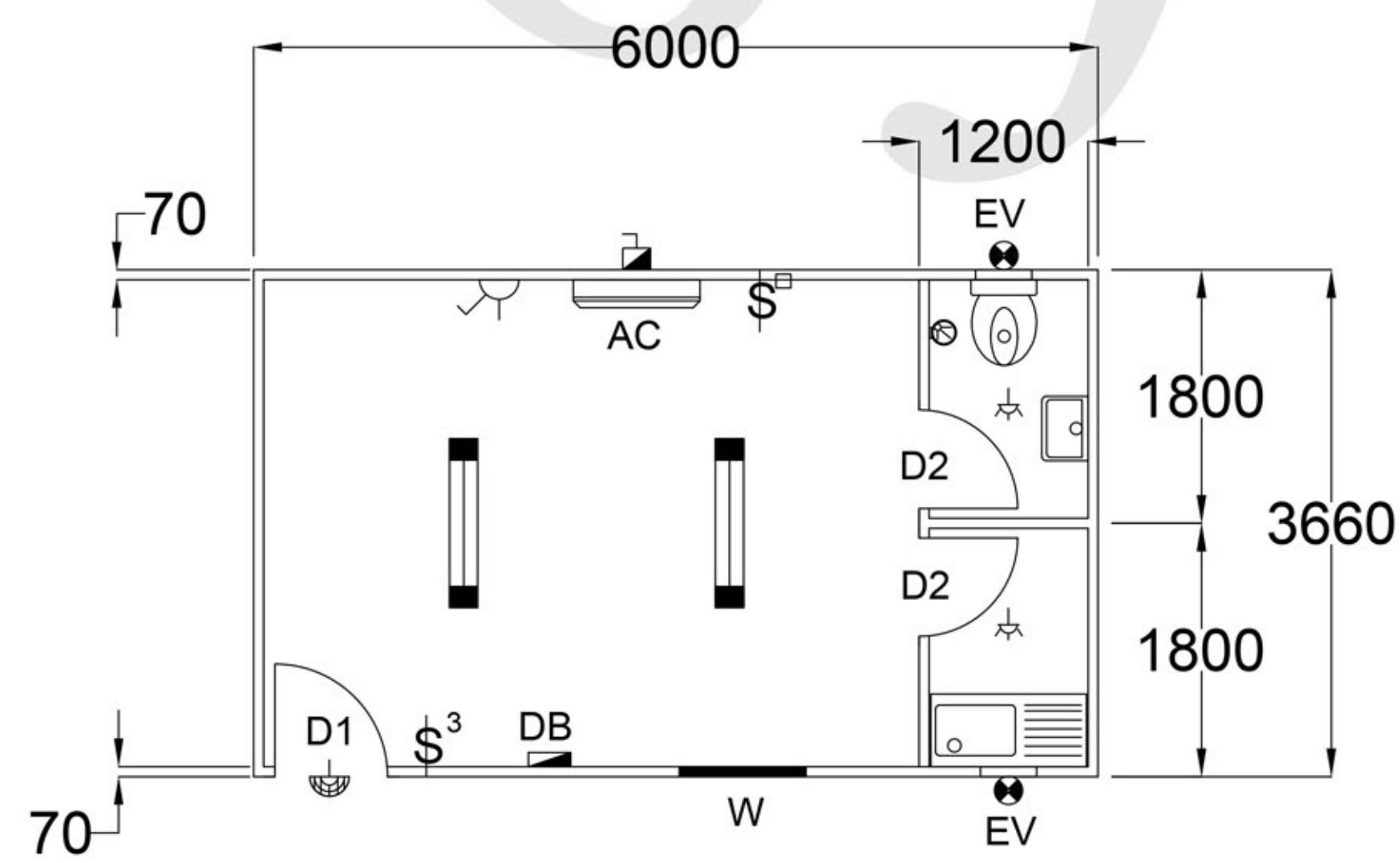
Sheet: 01 OF 01

DRAWING TITLE: 1R 1T 1K

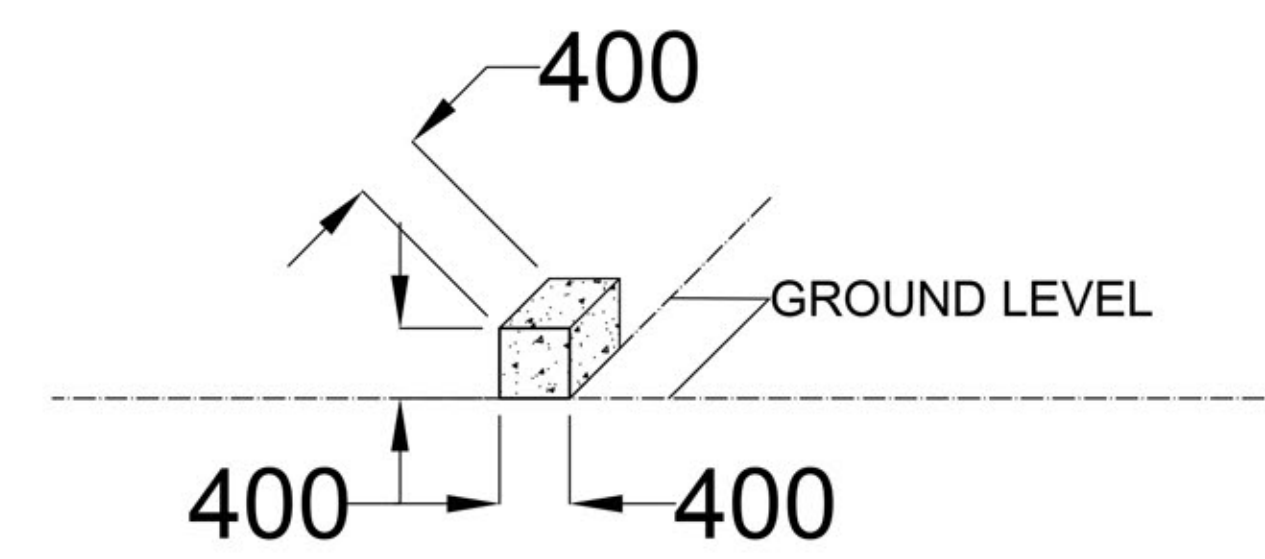


ELEVATION

SIDE VIEW



FLOOR PLAN
SIZE: 6.0mX3.66m



FOUNDATION BLOCK DETAILS

DOORS & WINDOWS	
NAME	SIZE
DOOR(D1)	900xH2000
DOOR(D2)	700xH2000
WINDOW(W)	W900xH900

General Notes

- ALL DIMENSIONS ARE IN MILLIMETERS(mm) UNLESS OTHERWISE NOTED.
- ALL WORKS SHALL BE CARRIED OUT IN ACCORDANCE WITH THE PROJECT SPECIFICATIONS.

ELECTRICAL	
DB	
36W-DOUBLE TUBE SET	
AC,SPLIT (PROVISION)	
13A SWITCHED SOCKET	
INDICATOR SWITCH	
DOUBLE POLE SWITCH	
TRIPLE POLE SWITCH	
BULKET BULB	
ISOLATOR	

PLUMBING	
EUROPEAN WC	
WASH BASIN	
SHATTAF RAY	
SINK RIGHT	

No.	Revision/Issue	Date

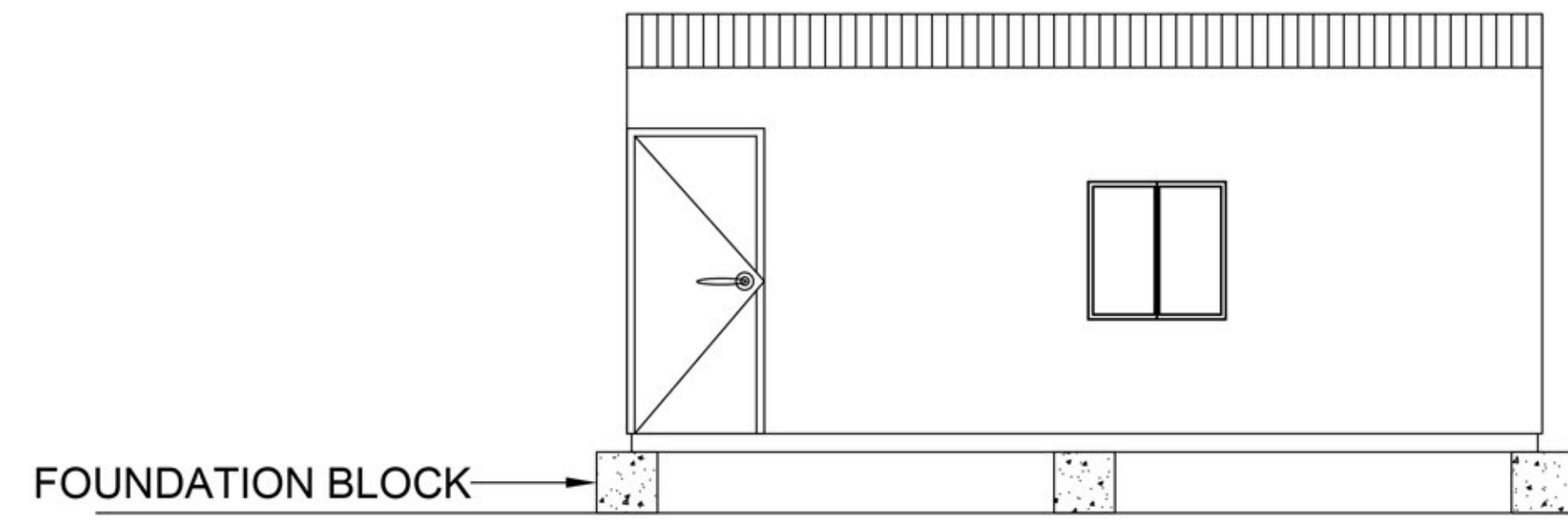
Firm Name & Address:
Rajabco
 www.rajabco.net
 CARPENTRY WORKS L.L.C
 P.O.BOX:108524,ABU DHABI,ALAIN-UAE,
 MOBILE: 0505424779

Client:

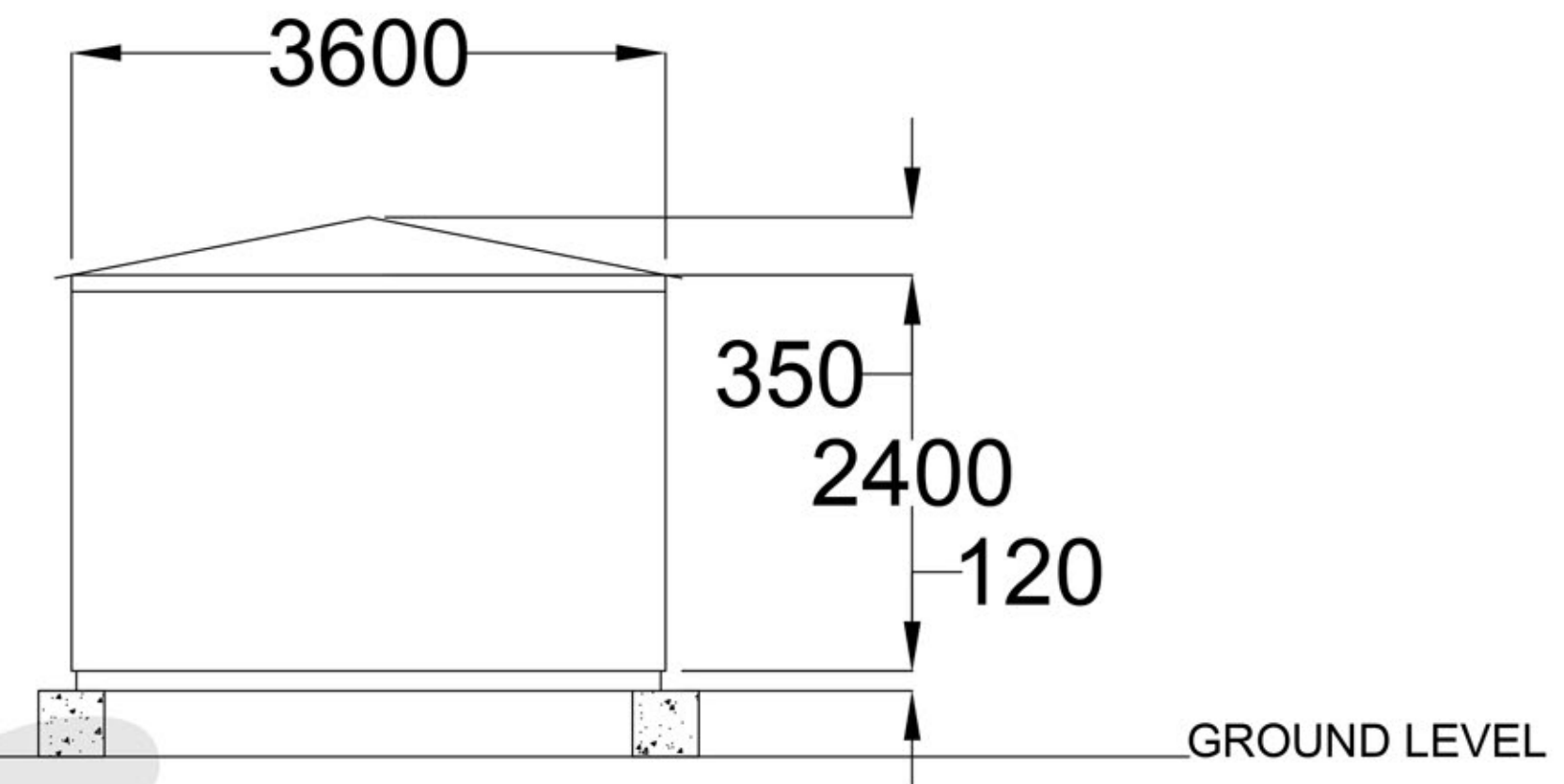
Project:

Date: Sheet:

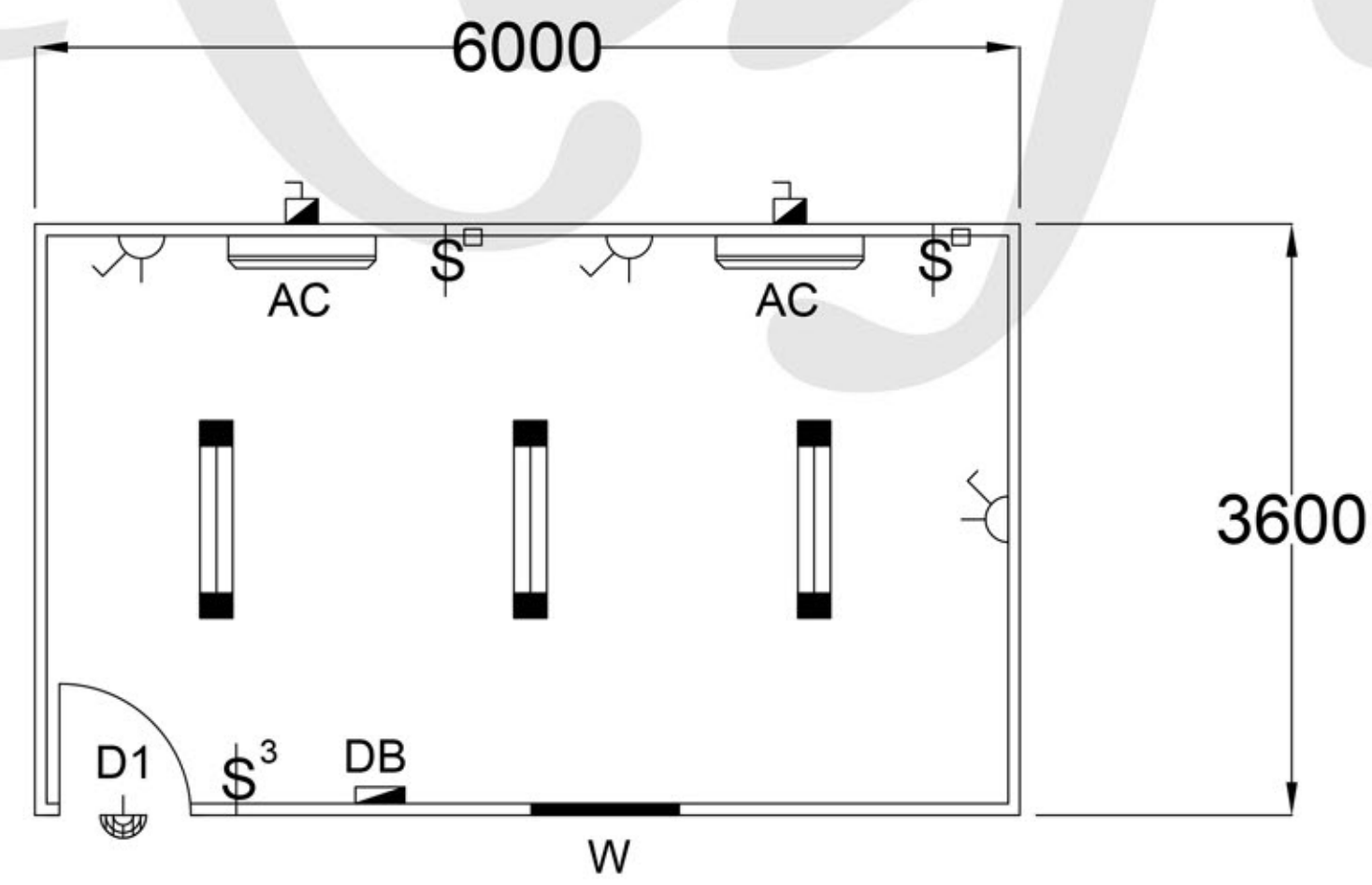
Scale: **NTS** 01 OF 01



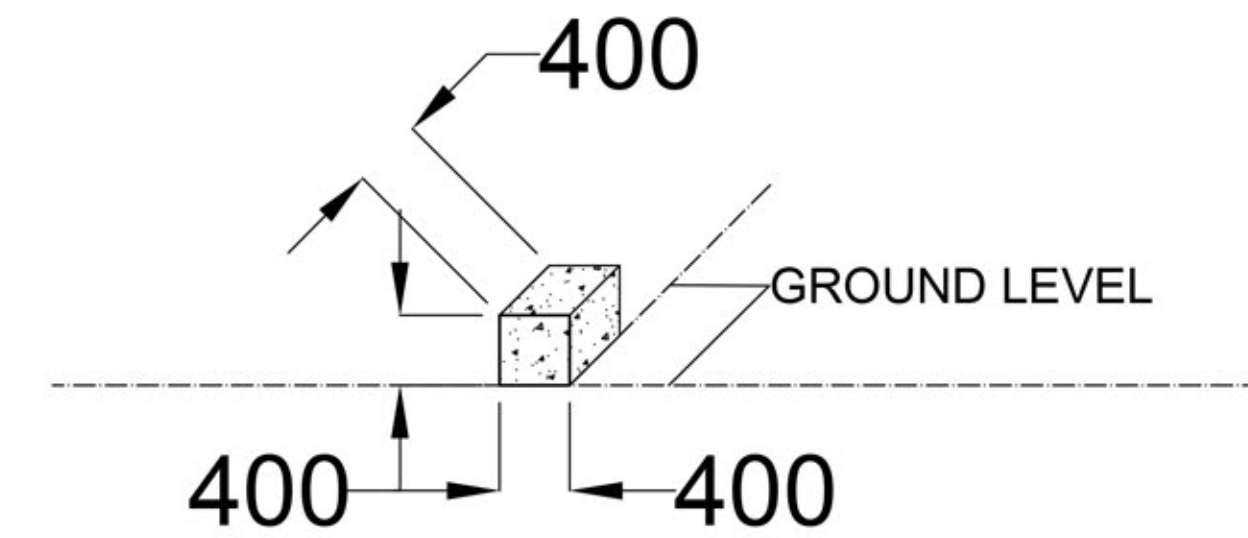
ELEVATION



SIDE VIEW



FLOOR PLAN
SIZE: 6mX3.6m



FOUNDATION BLOCK DETAILS

DOORS & WINDOWS	
NAME	SIZE
DOOR(D1)	W900xH2000
WINDOW(W)	W900xH900

General Notes

1. ALL DIMENSIONS ARE IN MILLIMETERS(mm) UNLESS OTHERWISE NOTED.
2. ALL WORKS SHALL BE CARRIED OUT IN ACCORDANCE WITH THE PROJECT SPECIFICATIONS.

ELECTRICAL	
DB	☐
36W-DOUBLE TUBE SET	▬▬▬
AC,SPLIT (PROVISION)	▬▬▬
13A SWITCHED SOCKET	⏏
INDICATOR SWITCH	\$ ¹
DOUBLE POLE SWITCH	\$ ²
TRIPLE POLE SWITCH	\$ ³
BULKET BULB	⦿
ISOLATOR	⏏

PLUMBING		
No.	Revision/Issue	Date

Firm Name & Address:

Rajabco

www.rajabco.net
 CARPENTRY WORKS L.L.C
 P.O.BOX:108524,ABU DHABI,ALAIN-UAE,
 MOBILE: 0505424779

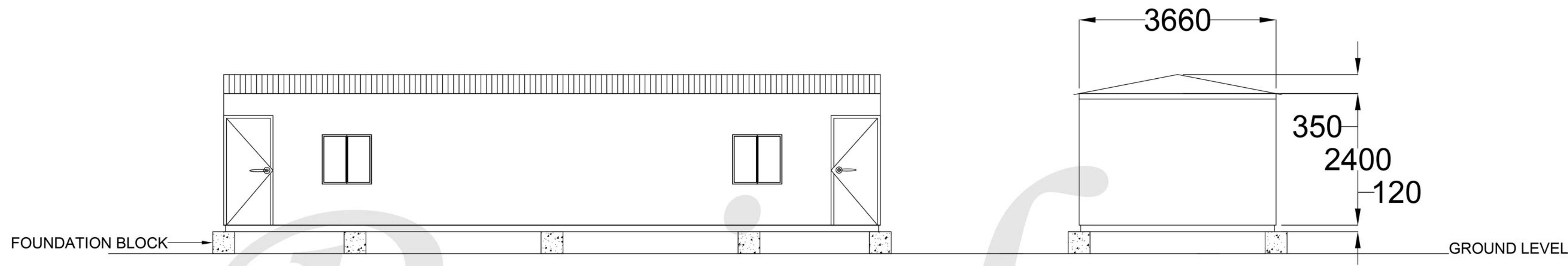
Client:

Project:

Date: Sheet:

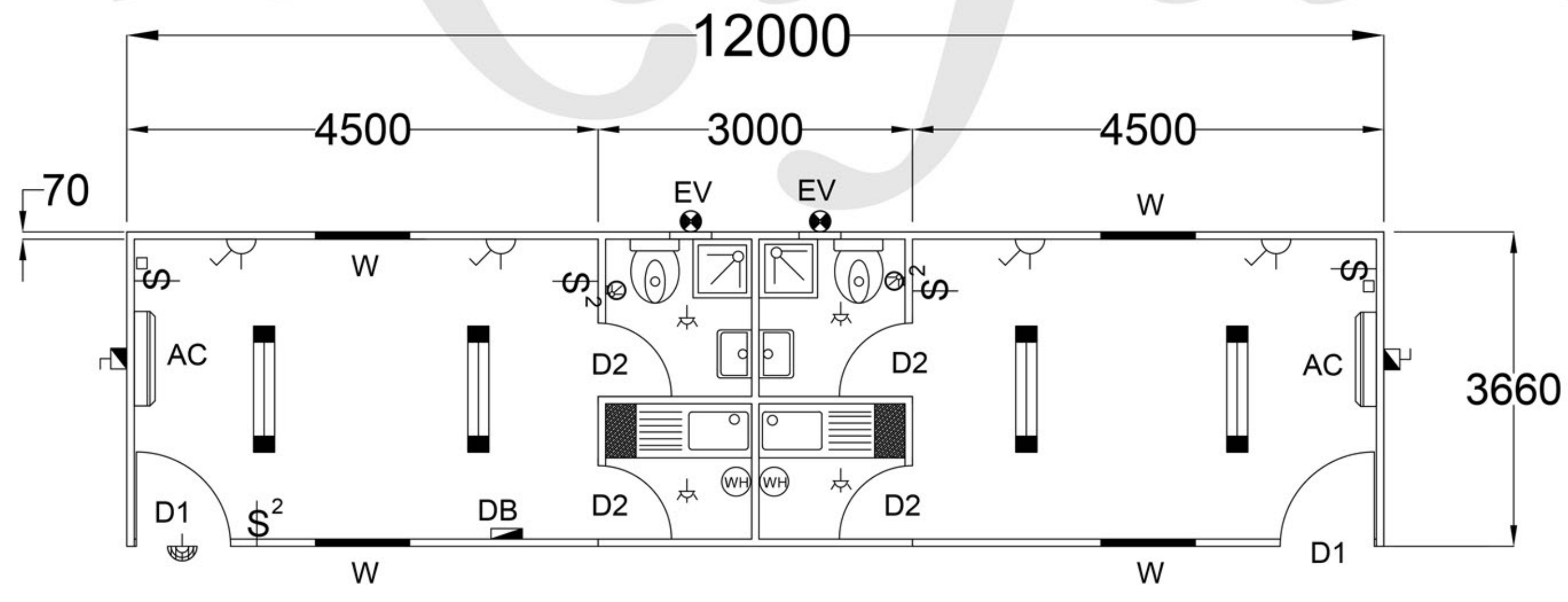
Scale: **NTS** 01 OF 01

DRAWING TITLE: 2R 2K 2I

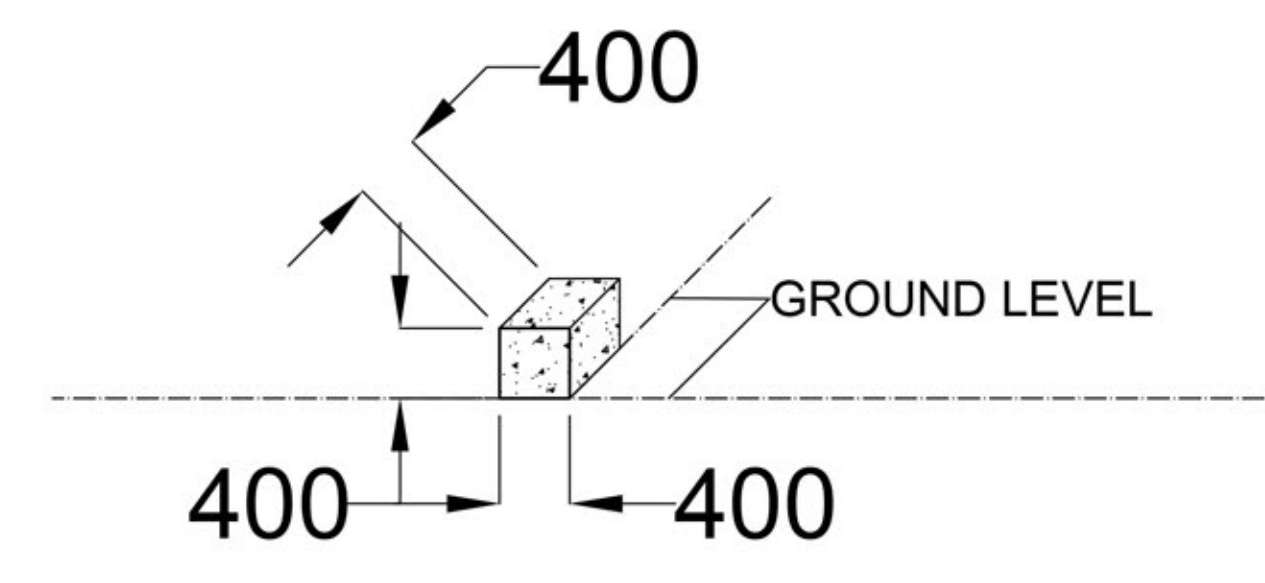


ELEVATION

SIDE VIEW



FLOOR PLAN
SIZE: 12.0mX3.66m



FOUNDATION BLOCK DETAILS

General Notes

- ALL DIMENSIONS ARE IN MILLIMETERS(mm) UNLESS OTHERWISE NOTED.
- ALL WORKS SHALL BE CARRIED OUT IN ACCORDANCE WITH THE PROJECT SPECIFICATIONS.

ELECTRICAL

DB	
36W-DOUBLE TUBE SET	
36-WSINGLE TUBE SET	
13A SWITCHED SOCKET	
INDICATOR SWITCH	
DOUBLE POLE SWITCH	
BULKET BULB	
BULB	
ISOLATOR 35AMPS	
EXHAUST FAN 6"	
AC,SPLIT (PROVISION)	

PLUMBING

EUROPEAN WC	
WASH BASIN	
SHATTAF RAY	
SHOWER TRAY	
WATER HEATER	

No.	Revision/Issue	Date

Firm Name & Address:

Rajabco
www.rajabco.net
CARPENTRY WORKS L.L.C
P.O.BOX:108524,ABU DHABI,ALAIN-UAE,
MOBILE: 0505424779

DOORS & WINDOWS	
NAME	SIZE
DOOR(D1)	W900xH2000
DOOR(D2)	W700xH2000
WINDOW(W)	W900xH900
EXHAUST (EV)	400x400

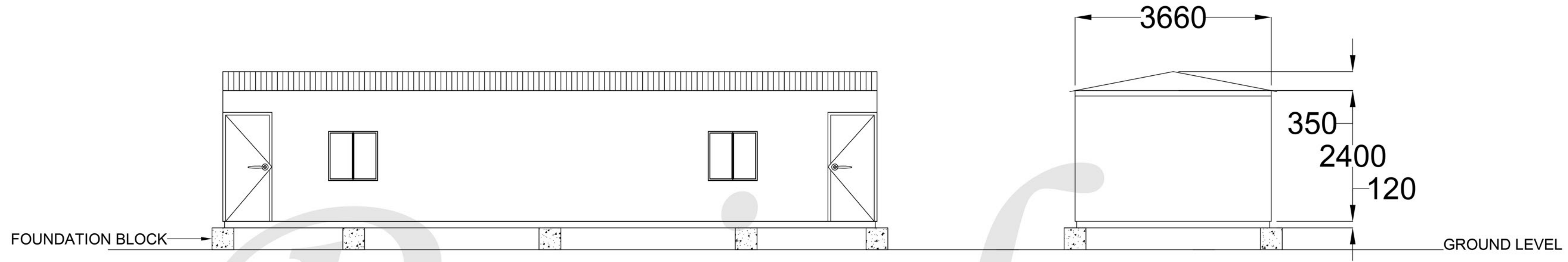
Client:

Project:

Date: Sheet:

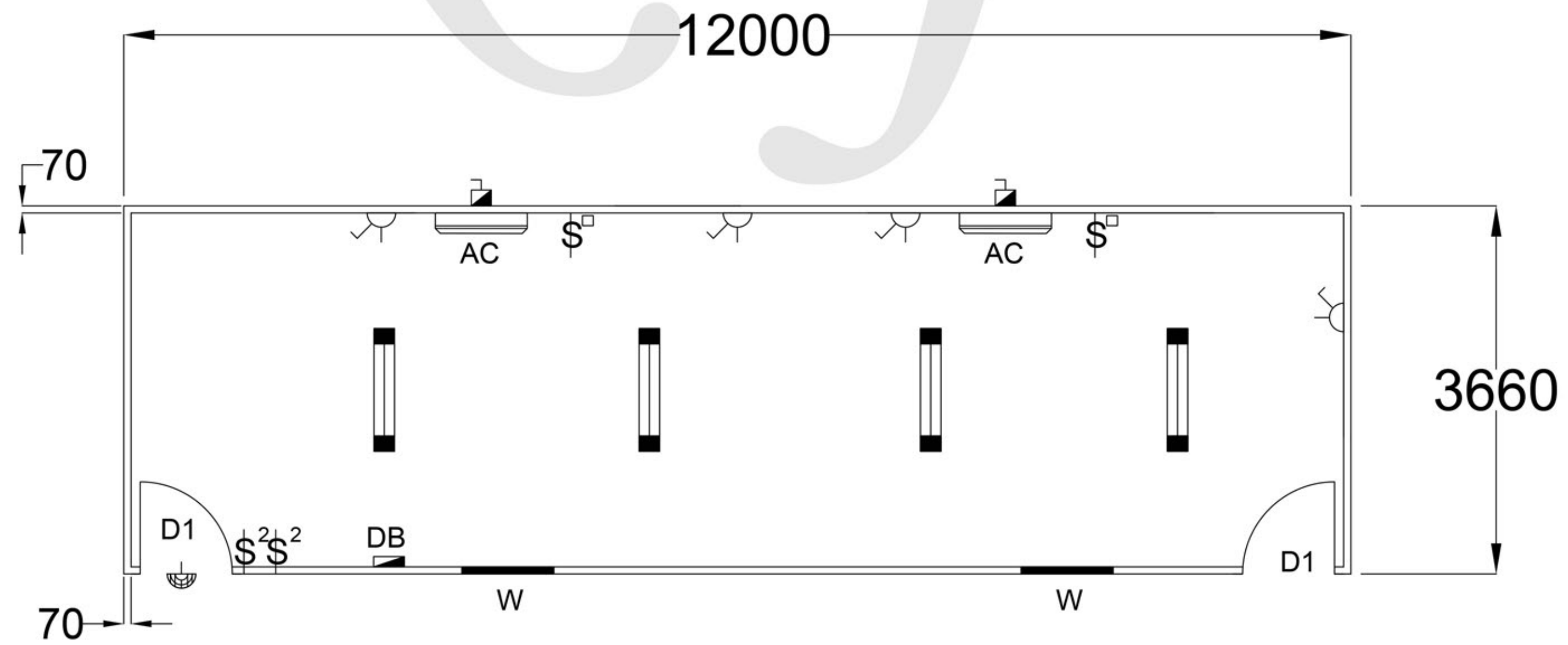
Scale: **NTS** 01 OF 01

DRAWING TITLE: OPEN HALL

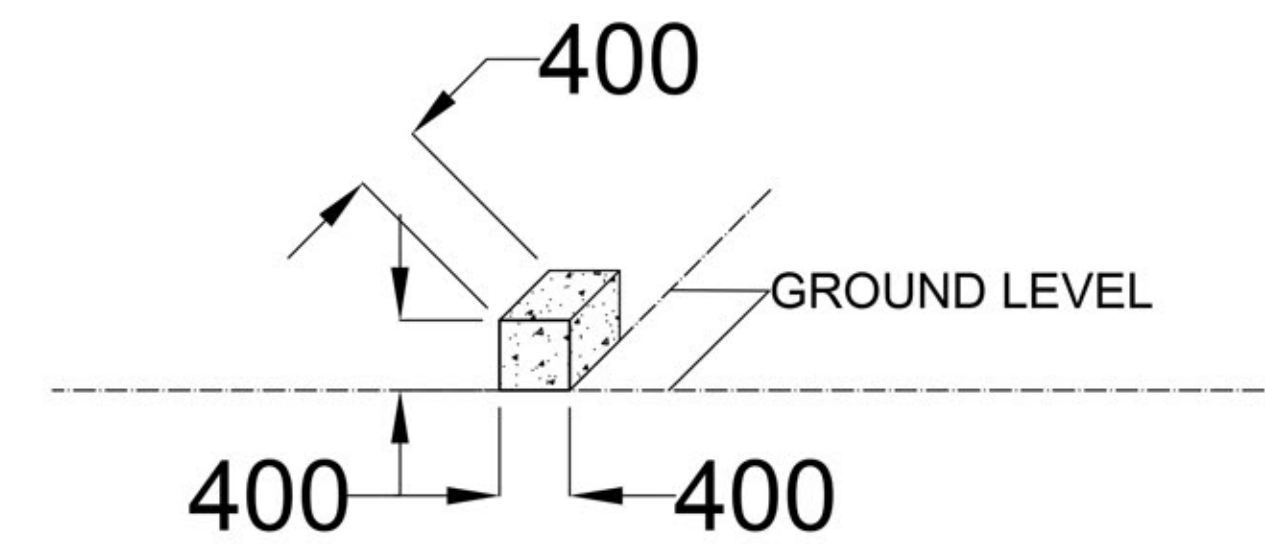


ELEVATION

SIDE VIEW



FLOOR PLAN
SIZE: 12.0mX3.66m



FOUNDATION BLOCK DETAILS

DOORS & WINDOWS	
NAME	SIZE
DOOR(D1)	W900xH2000
WINDOW(W)	W900xH900

- General Notes**
1. ALL DIMENSIONS ARE IN MILIMETERS(mm) UNLESS OTHERWISE NOTED.
 2. ALL WORKS SHALL BE CARRIED OUT IN ACCORDANCE WITH THE PROJECT SPECIFICATIONS.

ELECTRICAL	
DB	
36W-DOUBLE TUBE SET	
36-W-SINGLE TUBE SET	
13A SWITCHED SOCKET	
INDICATOR SWITCH	
DOUBLE POLE SWITCH	
BULKET BULB	
BULB	
ISOLATOR	
EXHAUST FAN 6"	
AC,SPLIT (PROVISION)	

PLUMBING	

No.	Revision/Issue	Date

Firm Name & Address:

Rajabco
www.rajabco.net
CARPENTRY WORKS L.L.C
P.O.BOX:108524,ABU DHABI,ALAIN-UAE,
MOBILE: 0505424779

Client:

Project:

Date:

Scale: **NTS**

Sheet: **01 OF 01**

General Notes

1. ALL DIMENSIONS ARE IN MILLIMETERS(mm) UNLESS OTHERWISE NOTED.
2. ALL WORKS SHALL BE CARRIED OUT IN ACCORDANCE WITH THE PROJECT SPECIFICATIONS.

ELECTRICAL

DB	☐
36W-DOUBLE TUBE SET	▬▬▬
36-W-SINGLE TUBE SET	▬
13A SWITCHED SOCKET	⏏
INDICATOR SWITCH	⏏ ²
DOUBLE POLE SWITCH	⏏ ²
BULKET BULB	⚡
BULB	⚡
ISOLATOR	⏏
EXHAUST FAN 6"	⏏
AC,SPLIT (PROVISION)	▬

PLUMBING

EUROPEAN WC	Ⓞ
WASH BASIN	Ⓞ
SHATTAF RAY	Ⓞ
SHOWER TRAY	Ⓞ
WATER HEATER	Ⓞ

No.	Revision/Issue	Date

Firm Name & Address:

Rajabco

www.rajabco.net
 CARPENTRY WORKS L.L.C
 P.O.BOX:108524,ABU DHABI,ALAIN-UAE,
 MOBILE: 0505424779

Client:

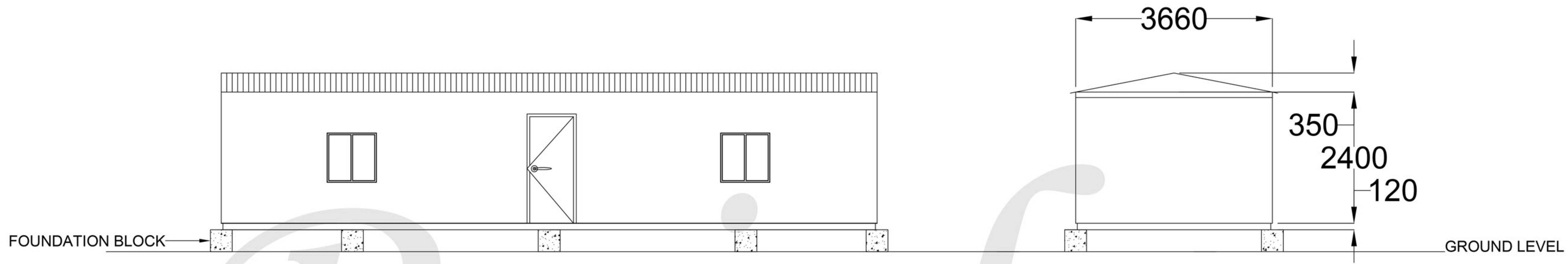
Project:

Date:

Scale: **NTS**

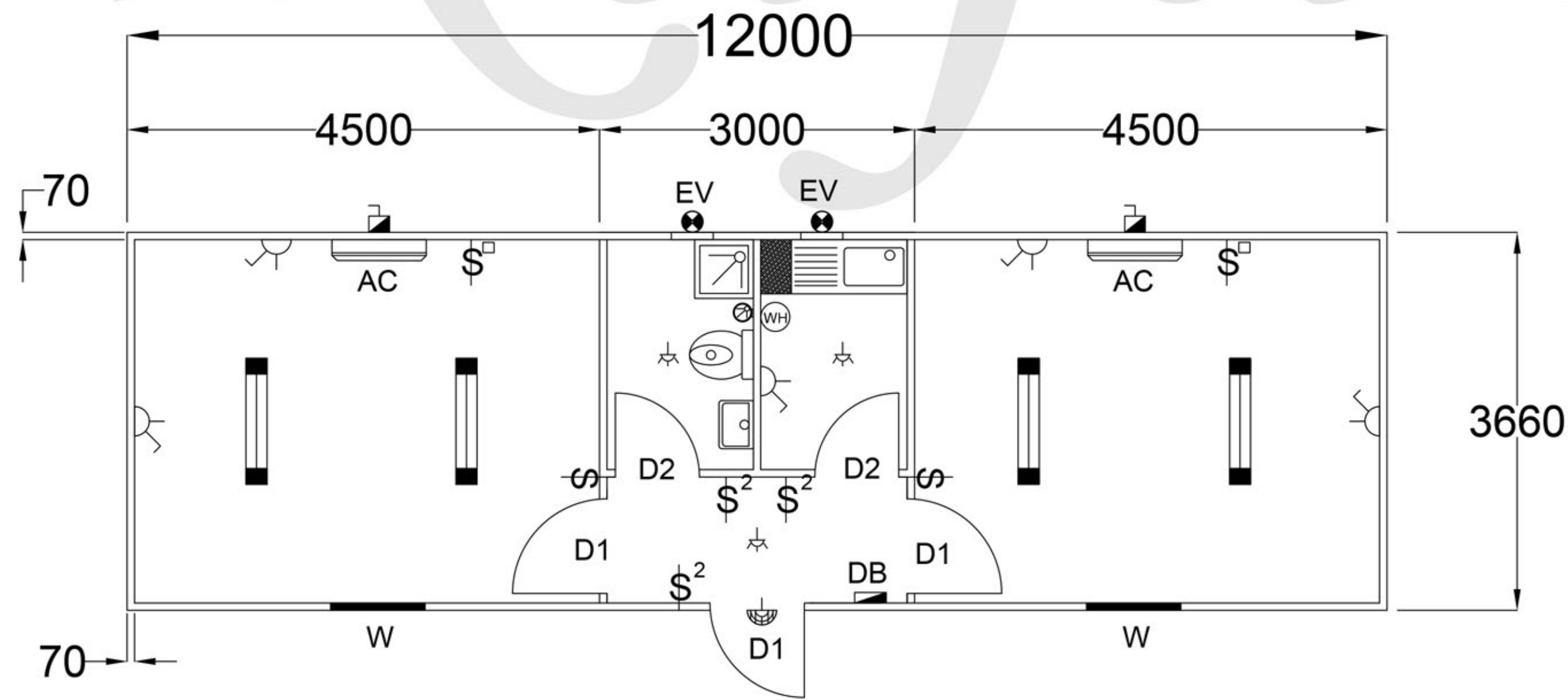
Sheet:

01 OF 01

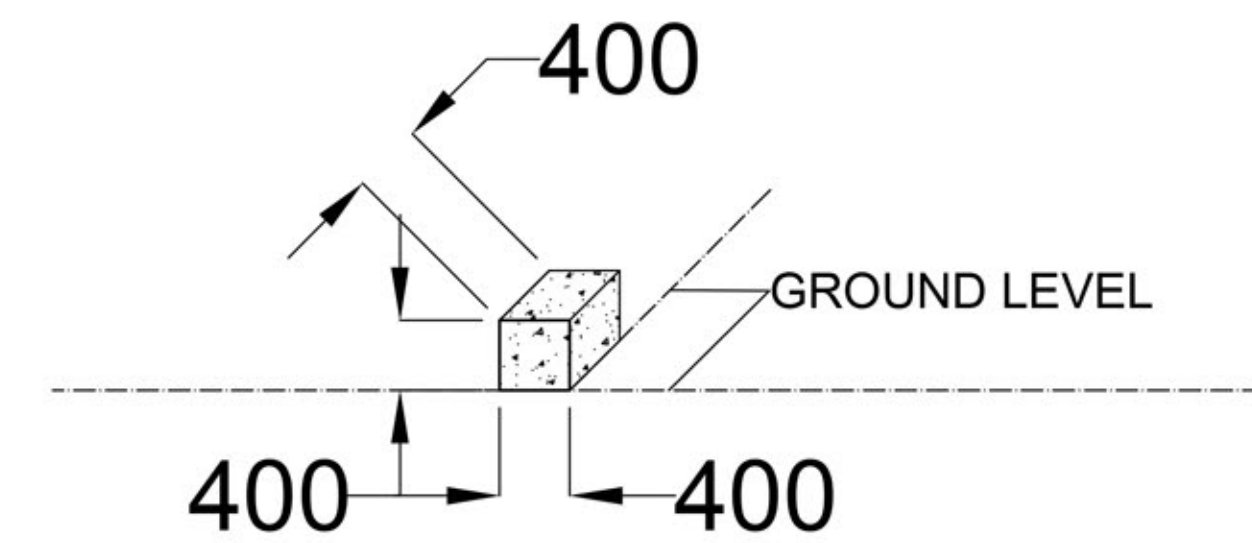


ELEVATION

SIDE VIEW



FLOOR PLAN
 SIZE: 12mX3.66m



FOUNDATION BLOCK DETAILS

DOORS & WINDOWS	
NAME	SIZE
DOOR(D1)	W900xH2000
DOOR(D2)	W700xH2000
WINDOW(W)	W900xH900
EXHAUST (EV)	400x400

DRAWING TITLE: 2R 1K1T

General Notes

1. ALL DIMENSIONS ARE IN MILLIMETERS(mm) UNLESS OTHERWISE NOTED.
2. ALL WORKS SHALL BE CARRIED OUT IN ACCORDANCE WITH THE PROJECT SPECIFICATIONS.

ELECTRICAL

DB	☐
36W-DOUBLE TUBE SET	▬▬▬▬▬▬
36-W-SINGLE TUBE SET	▬▬▬▬▬▬
13A SWITCHED SOCKET	⌚
INDICATOR SWITCH	⌚
DOUBLE POLE SWITCH	⌚ ²
BULKET BULB	☾
BULB	☆
ISOLATOR	⌚
EXHAUST FAN 6"	⌚
AC,SPLIT (PROVISION)	▬▬▬▬▬▬

PLUMBING

EUROPEAN WC	⌚
WASH BASIN	⌚
SHATTAF RAY	⌚

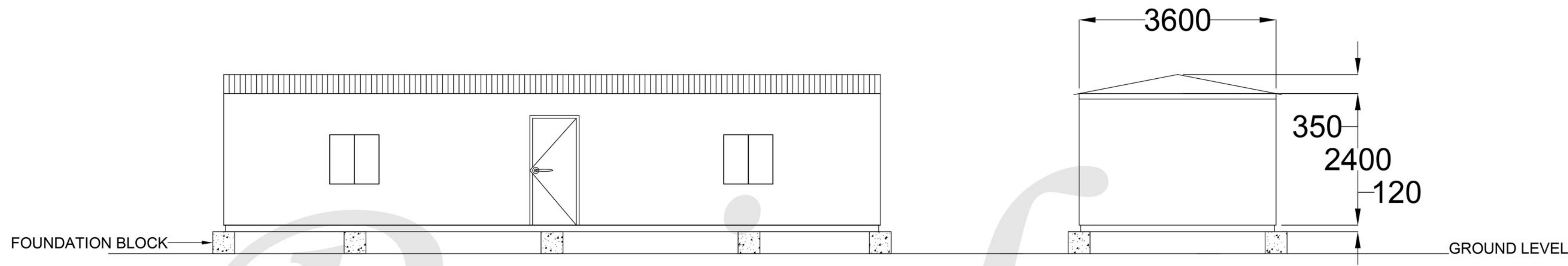
No.	Revision/Issue	Date

Firm Name & Address:

Rajabco
 www.rajabco.net
CARPENTRY WORKS L.L.C
 P.O.BOX:108524,ABU DHABI,ALAIN-UAE,
 MOBILE: 0505424779

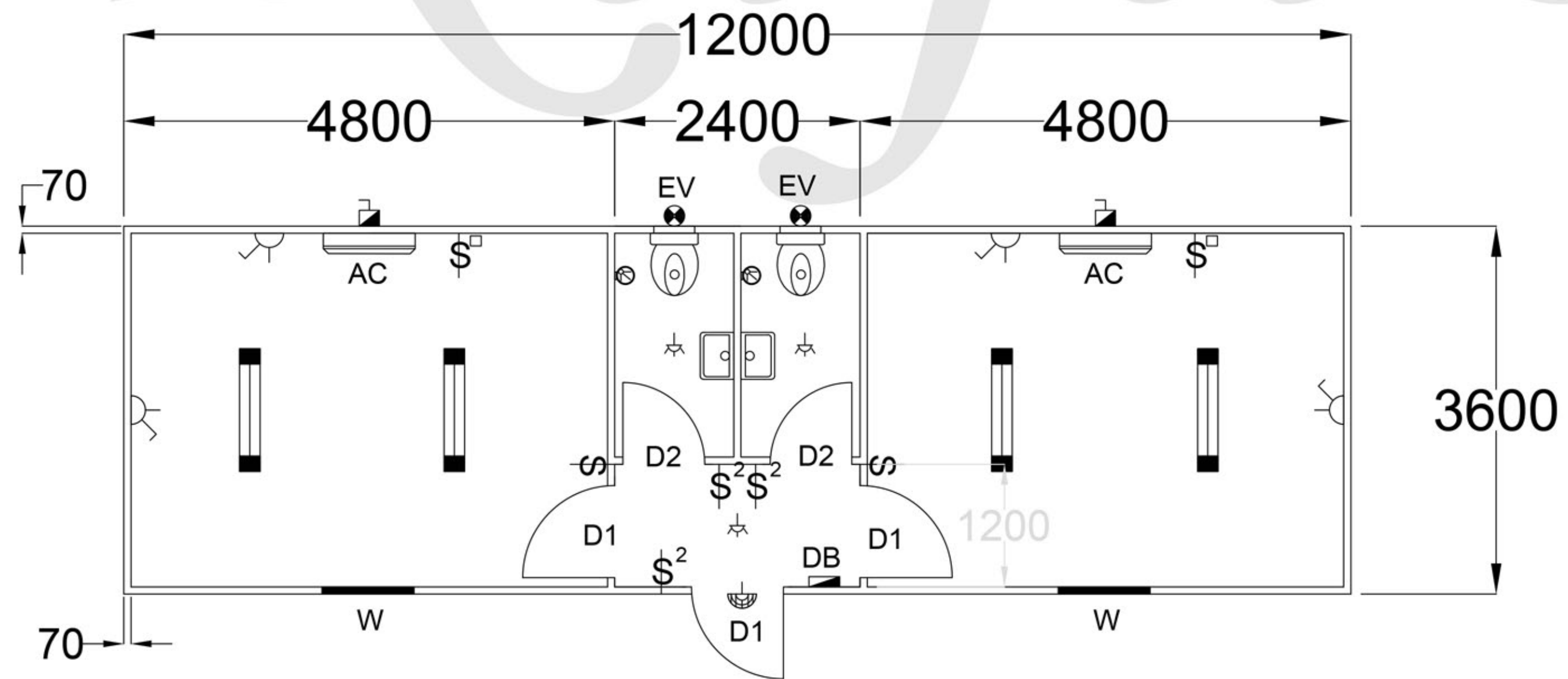
Client:

Project:	⌚
Date:	Sheet:
Scale: NTS	01 OF 01

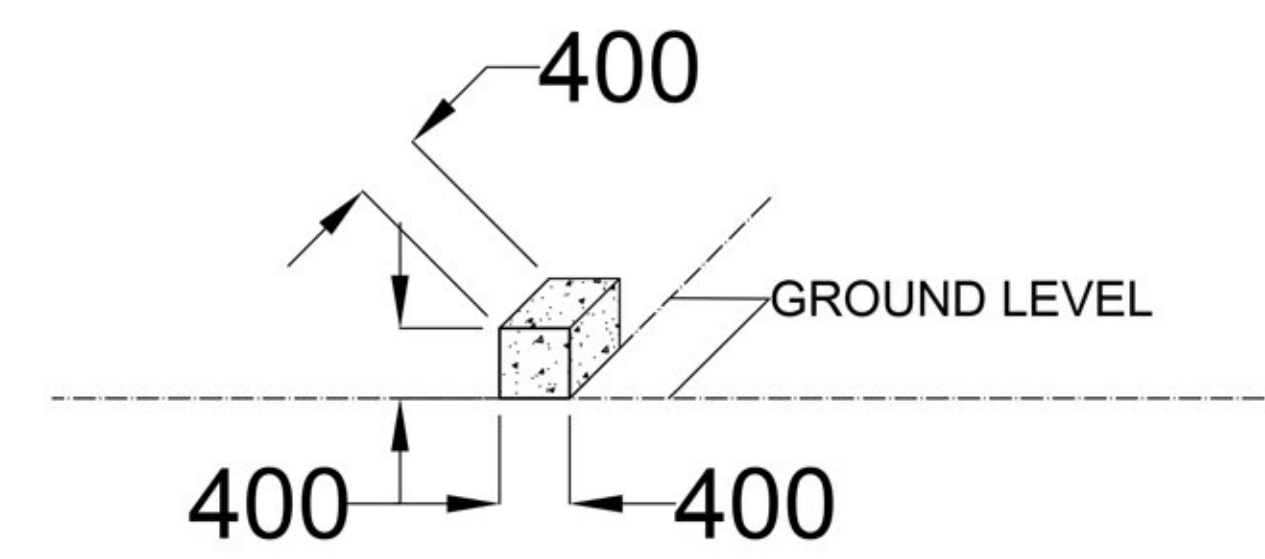


ELEVATION

SIDE VIEW



FLOOR PLAN
 SIZE: 12mX3.6m

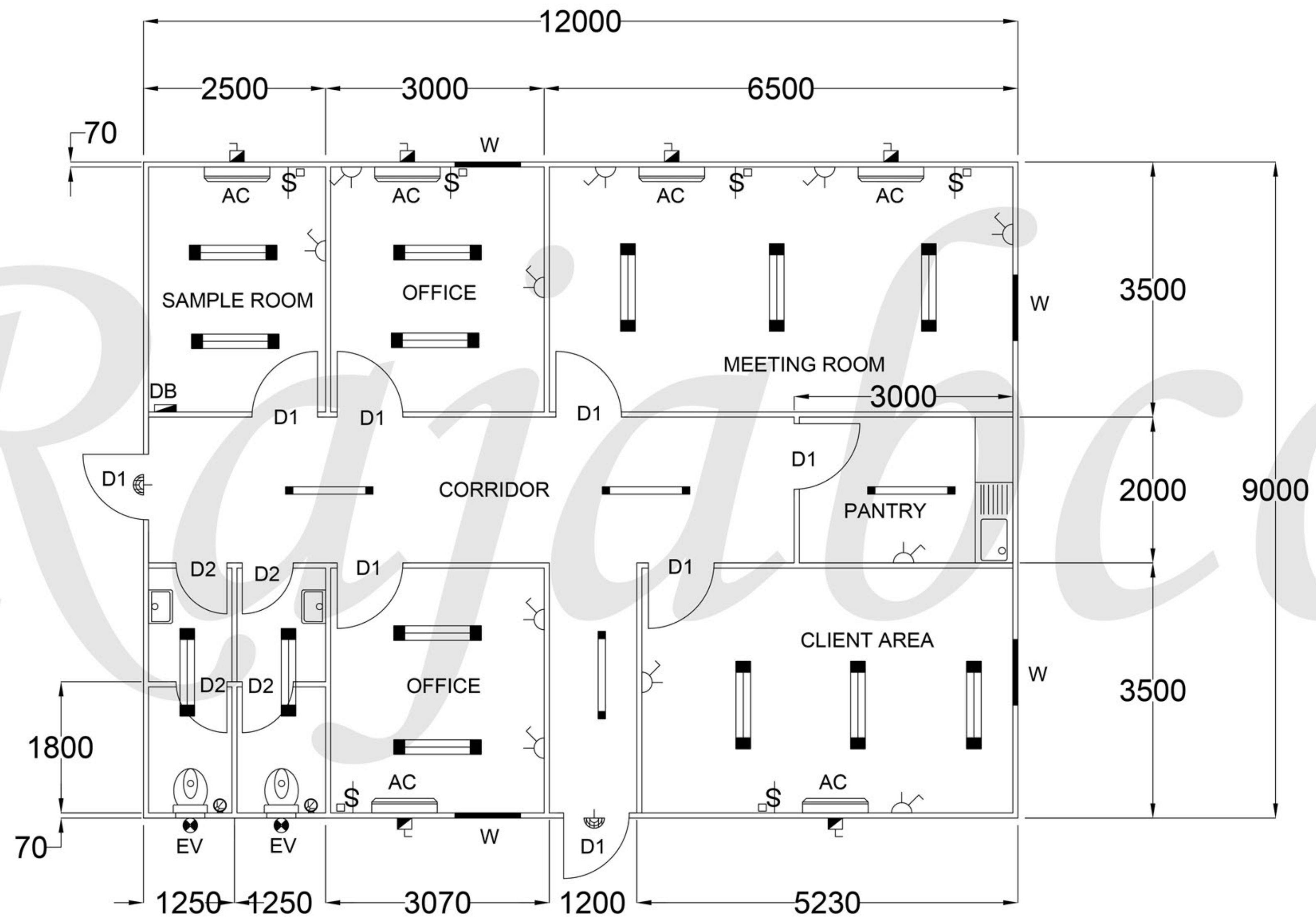


FOUNDATION BLOCK DETAILS

DOORS & WINDOWS	
NAME	SIZE
DOOR(D1)	W900xH2000
DOOR(D2)	W700xH2000
WINDOW(W)	W900xH900
EXHAUST (EV)	400x400

DRAWING TITLE: 2R 2T

DRAWING TITLE: 12mX9m VILLA TYPE



FLOOR PLAN - VILLA TYPE
SIZE: 12.0mX9.0m

General Notes

1. ALL DIMENSIONS ARE IN MILLIMETERS(mm) UNLESS OTHERWISE NOTED.
2. ALL WORKS SHALL BE CARRIED OUT IN ACCORDANCE WITH THE PROJECT SPECIFICATIONS.

ELECTRICAL

DB	
36W-DOUBLE TUBE SET	
36-W SINGLE TUBE SET	
13A SWITCHED SOCKET	
INDICATOR SWITCH	
BULKET BULB	
ISOLATOR	
EXHAUST FAN 6"	
AC,SPLIT (PROVISION)	

PLUMBING

EUROPEAN WC	
WASH BASIN	
SHATTAF RAY	

No.	Revision/Issue	Date

Firm Name & Address:

Rajabco
www.rajabco.net
CARPENTRY WORKS L.L.C
P.O.BOX:108524,ABU DHABI,ALAIN-UAE,
MOBILE: 0505424779

DOORS & WINDOWS	
NAME	SIZE
DOOR(D1)	W900xH2000
DOOR(D2)	W700xH2000
WINDOW(W)	W900xH900
EXHAUST (EV)	400x400

Client:

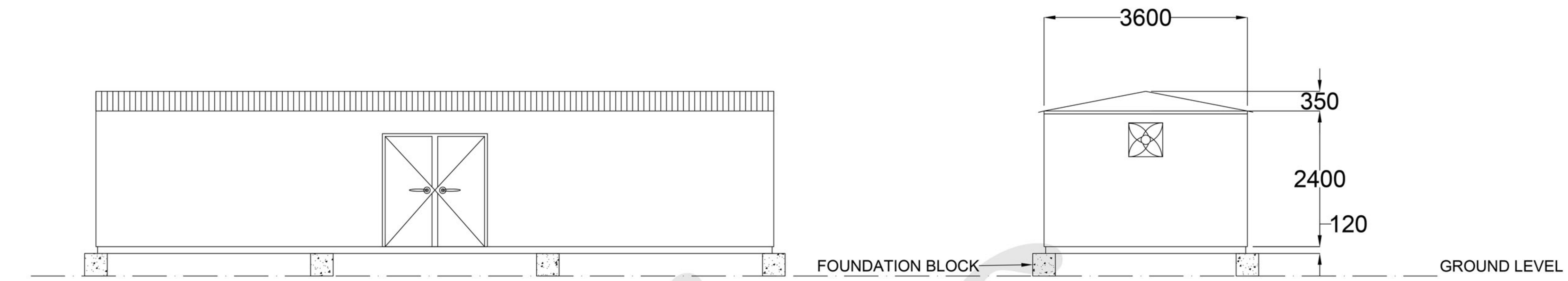
Project:

Date:

Scale: **NTS**

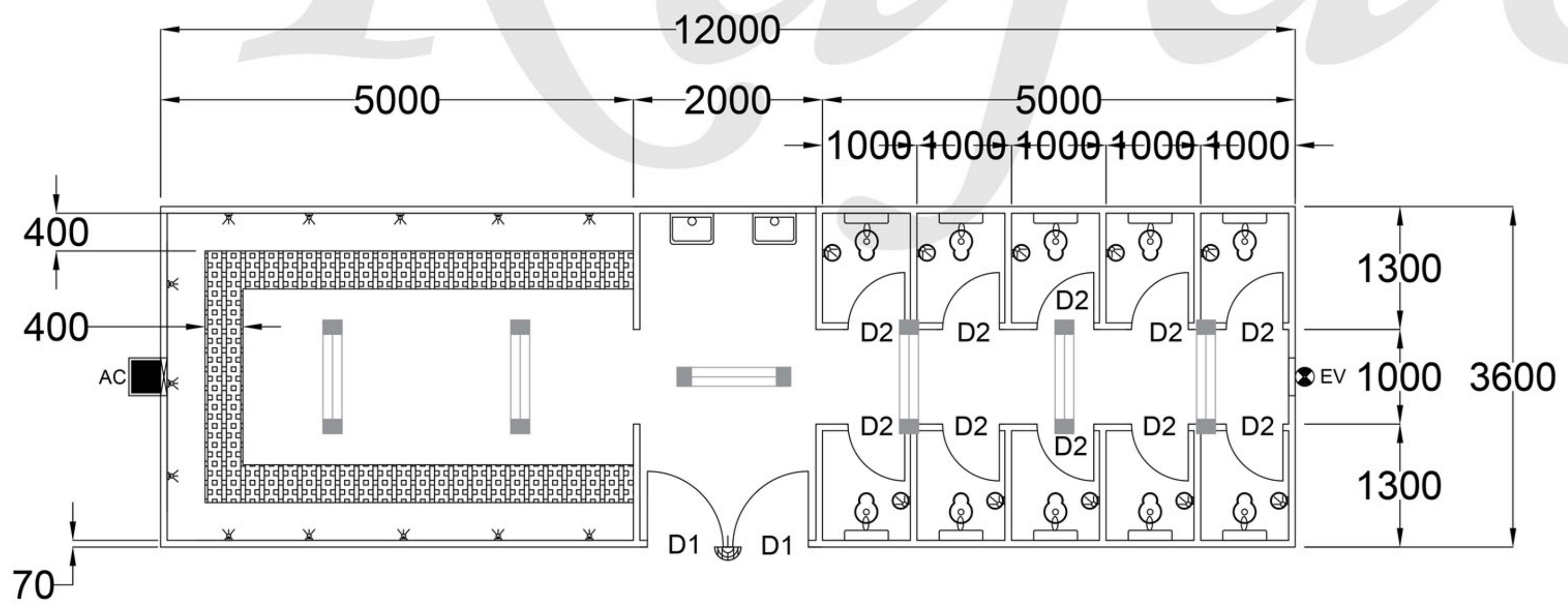
Sheet: 01 OF 01

DRAWING TITLE: ABLUTION UNIT

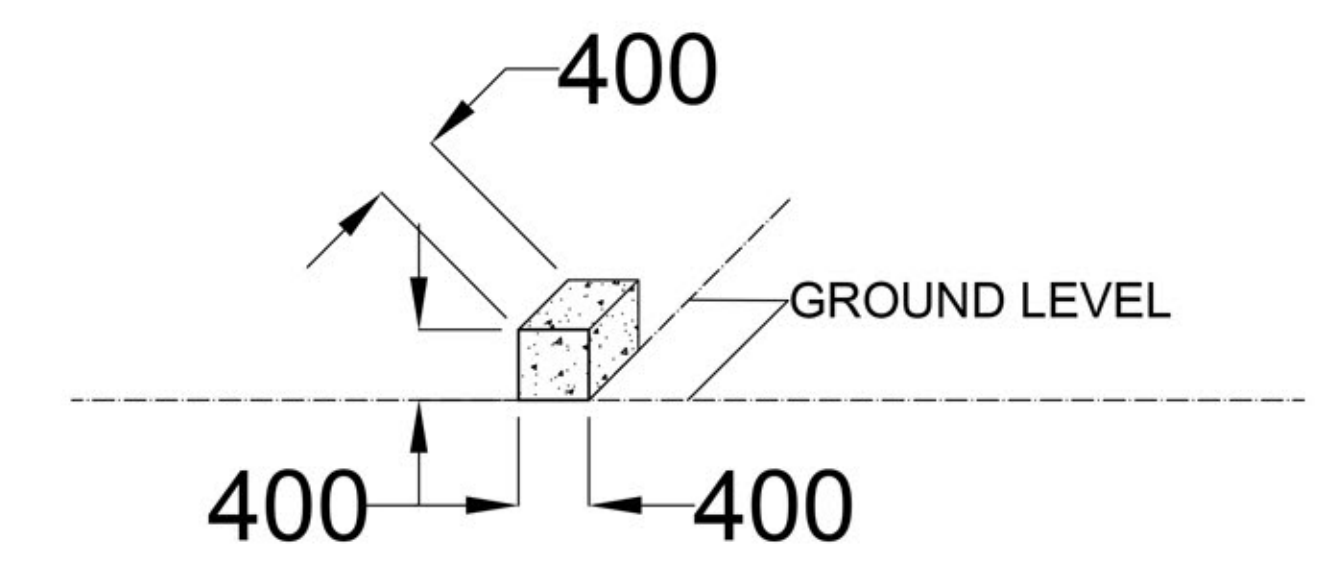


ELEVATION

SIDE VIEW



FLOOR PLAN-TOILET UNIT
SIZE: 12.0mX3.6m



FOUNDATION BLOCK DETAILS

General Notes

1. ALL DIMENSIONS ARE IN MILLIMETERS(mm) UNLESS OTHERWISE NOTED.
2. ALL WORKS SHALL BE CARRIED OUT IN ACCORDANCE WITH THE PROJECT SPECIFICATIONS.

ELECTRICAL

DB	
36W-DOUBLE TUBE SET	☐
DOUBLE POLE SWITCH	\$²
SINGLE POLE SWITCH	\$
BULKET BULB	☾
EXHAUST FAN 12"	⊕
WINDOW TYPE AC	▣

PLUMBING

ASIAN WC	Ⓜ
SHATTAF RAY	Ⓜ
WASH BASIN+MIRROR	Ⓜ
TAP	✳

No.	Revision/Issue	Date

Firm Name & Address:

Rajabco

www.rajabco.net
CARPENTRY WORKS L.L.C
 P.O.BOX:108524,ABU DHABI,ALAIN-UAE,
 MOBILE: 0505424779

DOORS & WINDOWS	
NAME	SIZE
DOOR(D1)	900xH2000
DOOR(D2)	700xH2000
EXHAUST (EV)	400x400

Client:

Project:	
Date:	
Scale: NTS	
Sheet:	01 OF 01